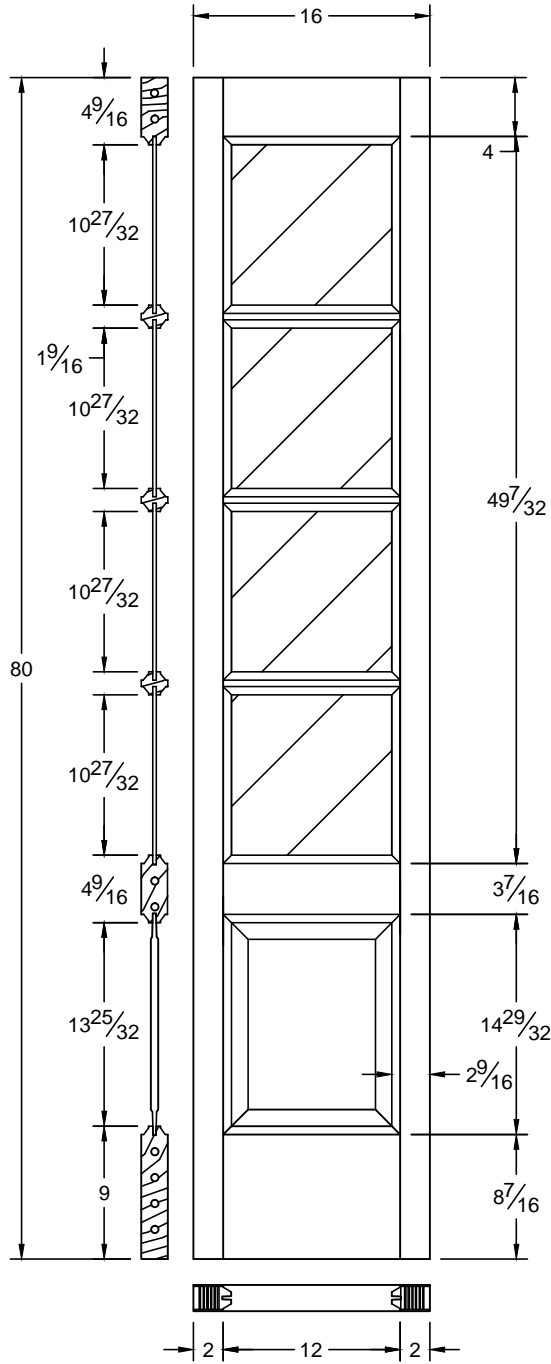


This drawing contains information which is the property of Woodgrain Millwork, Inc. This drawing is received on confidence and contents may not be disclosed without the prior written consent of Woodgrain Millwork, Inc.

1704 / 6704

|           |                  |
|-----------|------------------|
| Draw #:   | Breck 1704_18_80 |
| Date:     | 12 - 08 - 12     |
| Drawn By: | T Doughty        |

  
woodgrain doors

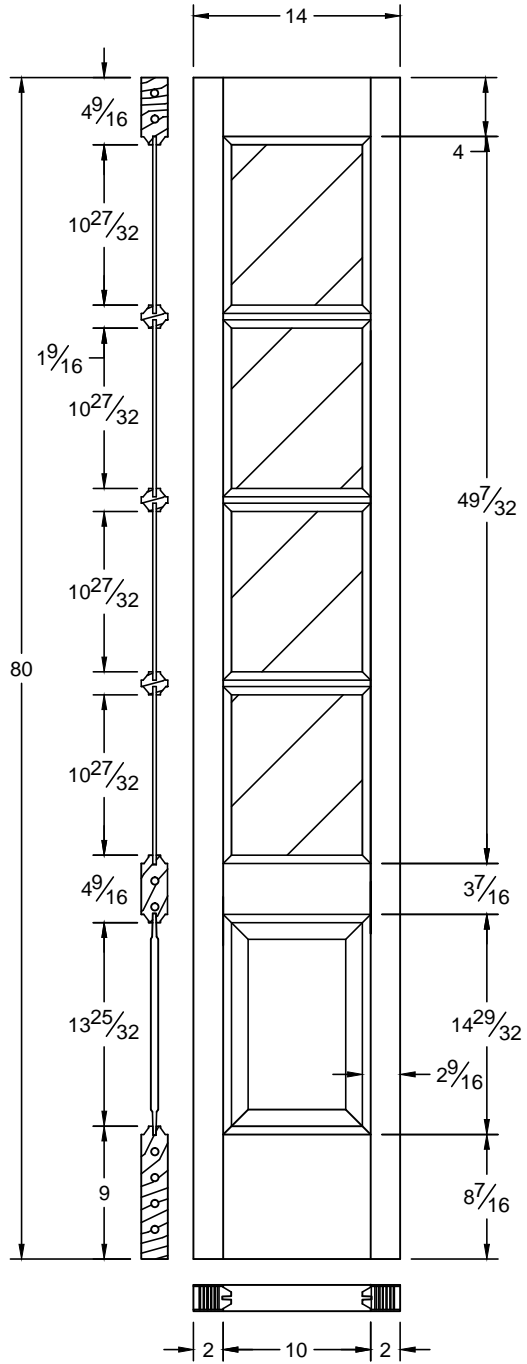


This drawing contains information which is the property of Woodgrain Millwork, Inc. This drawing is received on confidence and contents may not be disclosed without the prior written consent of Woodgrain Millwork, Inc.

**1704 / 6704**

|           |                  |
|-----------|------------------|
| Draw #:   | Breck 1704_16_80 |
| Date:     | 12 - 08 - 12     |
| Drawn By: | T Doughty        |

  
woodgrain doors

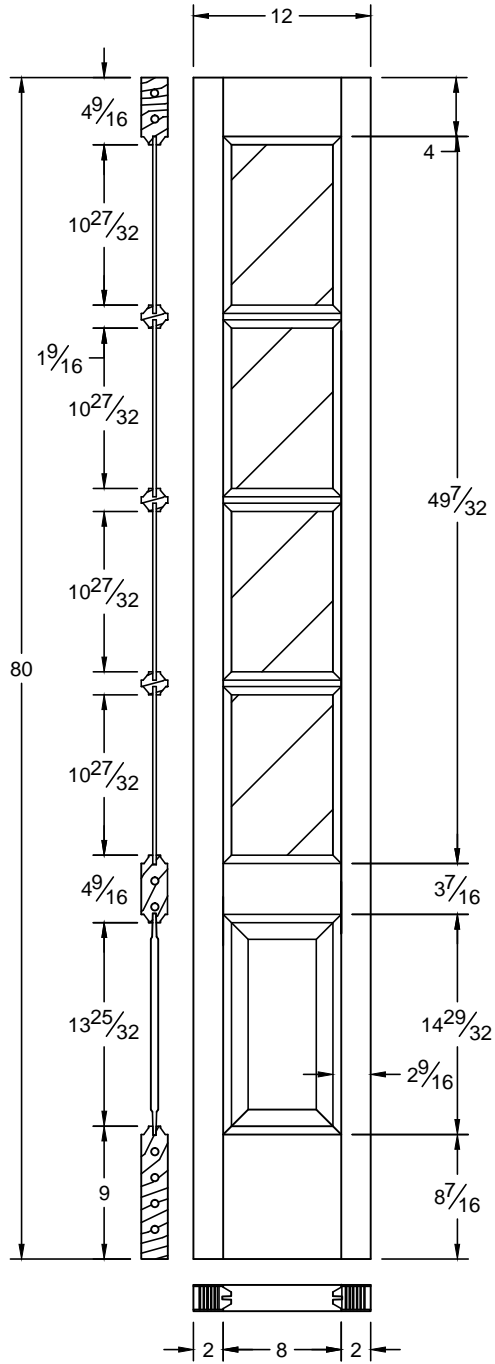


This drawing contains information which is the property of Woodgrain Millwork, Inc. This drawing is received on confidence and contents may not be disclosed without the prior written consent of Woodgrain Millwork, Inc.

**1704 / 6704**

|           |                  |
|-----------|------------------|
| Draw #:   | Breck 1704_14_80 |
| Date:     | 12 - 08 - 12     |
| Drawn By: | T Doughty        |

  
woodgrain doors

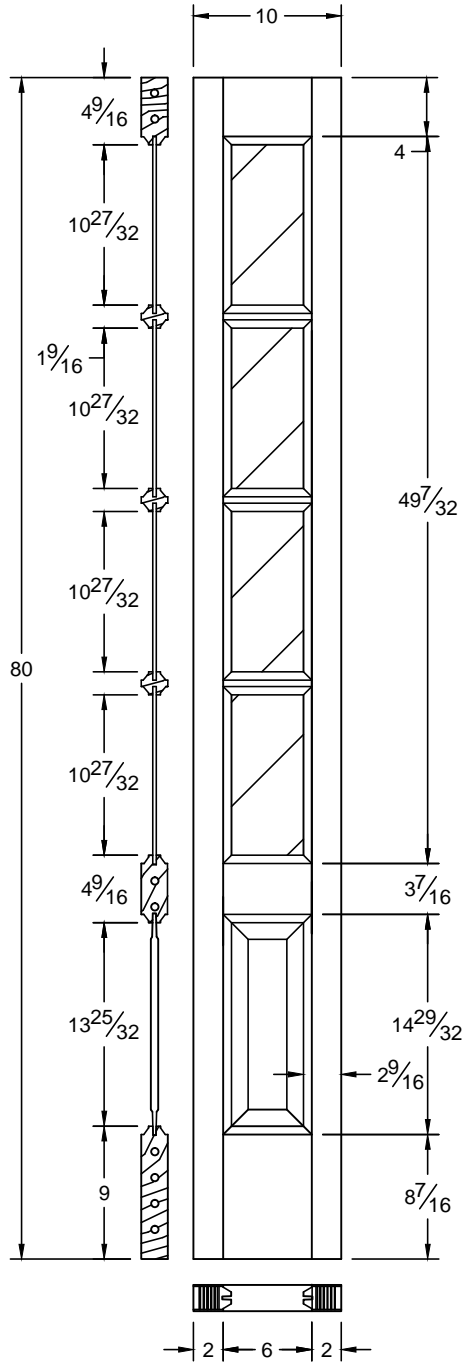


This drawing contains information which is the property of Woodgrain Millwork, Inc. This drawing is received on confidence and contents may not be disclosed without the prior written consent of Woodgrain Millwork, Inc.

**1704 / 6704**

|           |                  |
|-----------|------------------|
| Draw #:   | Breck 1704_12_80 |
| Date:     | 12 - 08 - 12     |
| Drawn By: | T Doughty        |

  
woodgrain doors

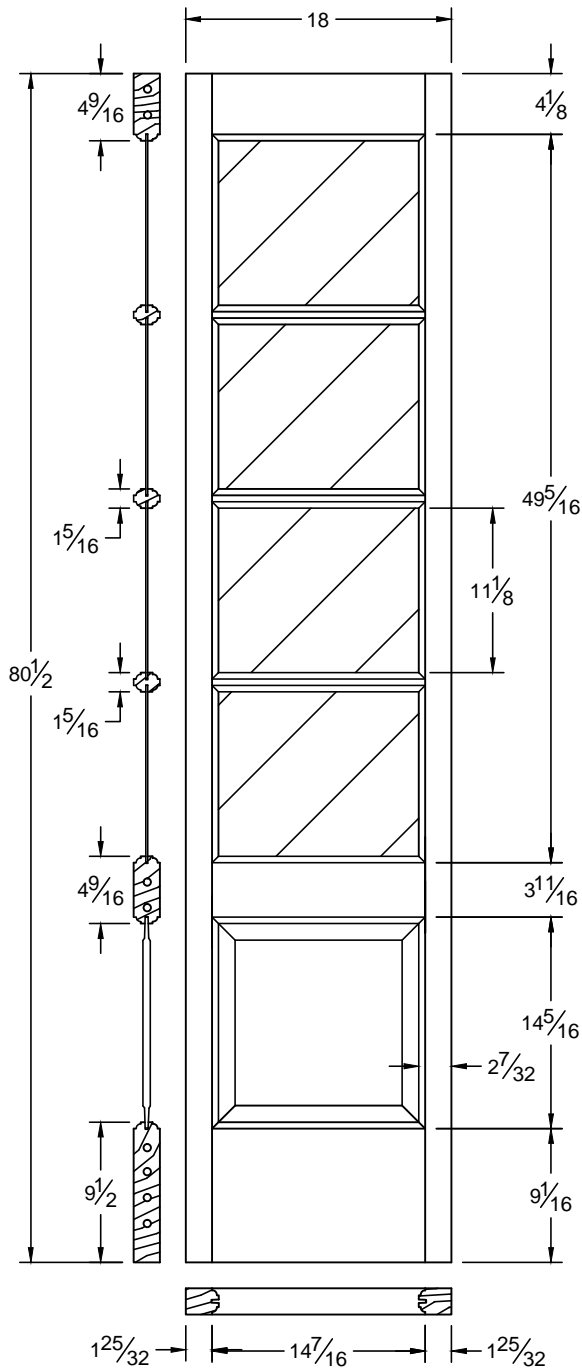


This drawing contains information which is the property of Woodgrain Millwork, Inc. This drawing is received on confidence and contents may not be disclosed without the prior written consent of Woodgrain Millwork, Inc.

**1704 / 6704**

|           |                  |
|-----------|------------------|
| Draw #:   | Breck 1704_10_80 |
| Date:     | 12 - 08 - 12     |
| Drawn By: | T Doughty        |



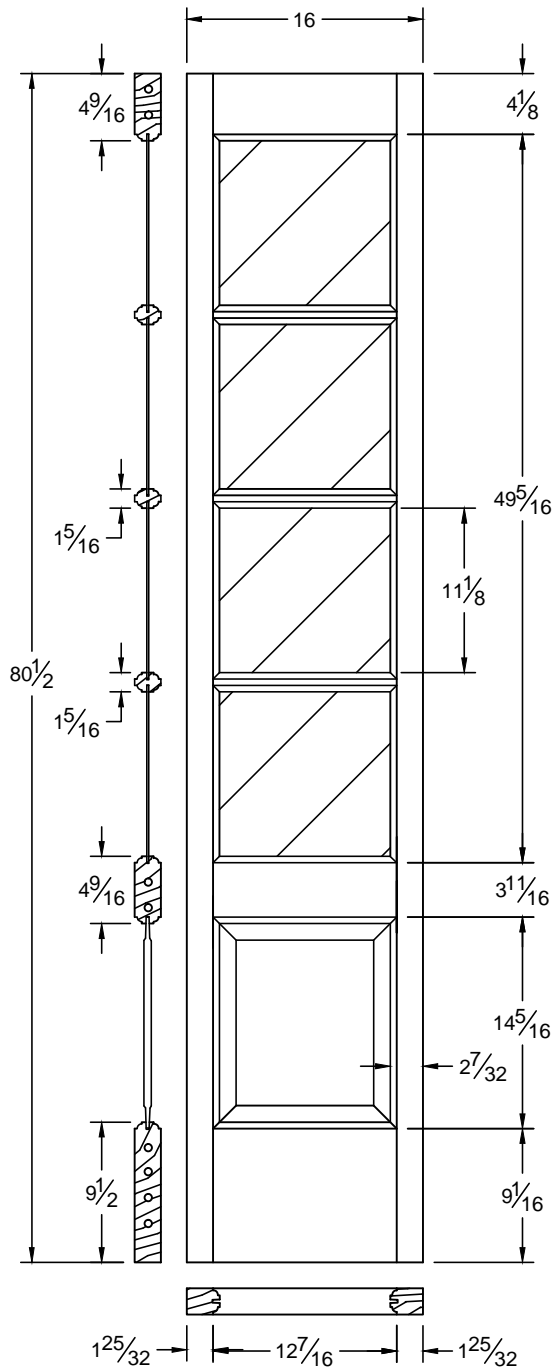


This drawing contains information which is the property of Woodgrain Millwork, Inc. This drawing is received on confidence and contents may not be disclosed without the prior written consent of Woodgrain Millwork, Inc.

**1704 / 6704**

|           |                  |
|-----------|------------------|
| Draw #:   | Ovolo 1704_18_80 |
| Date:     | 10 - 20 - 12     |
| Drawn By: | T Doughty        |



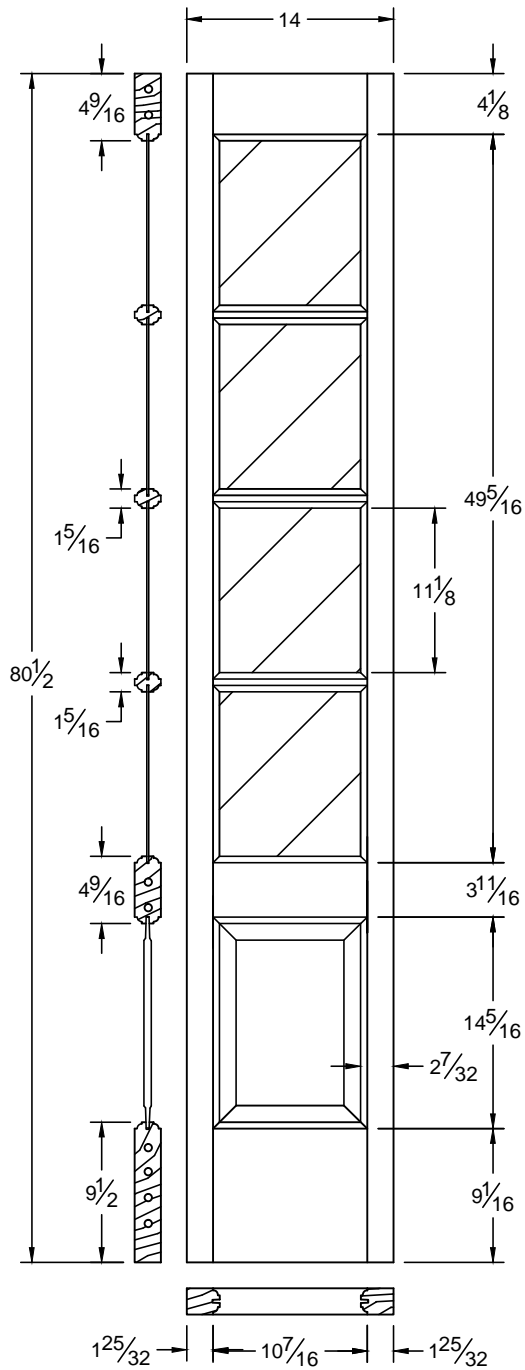


This drawing contains information which is the property of Woodgrain Millwork, Inc. This drawing is received on confidence and contents may not be disclosed without the prior written consent of Woodgrain Millwork, Inc.

**1704 / 6704**

|           |                  |
|-----------|------------------|
| Draw #:   | Ovolo 1704_16_80 |
| Date:     | 10 - 20 - 12     |
| Drawn By: | T Doughty        |

 woodgrain doors



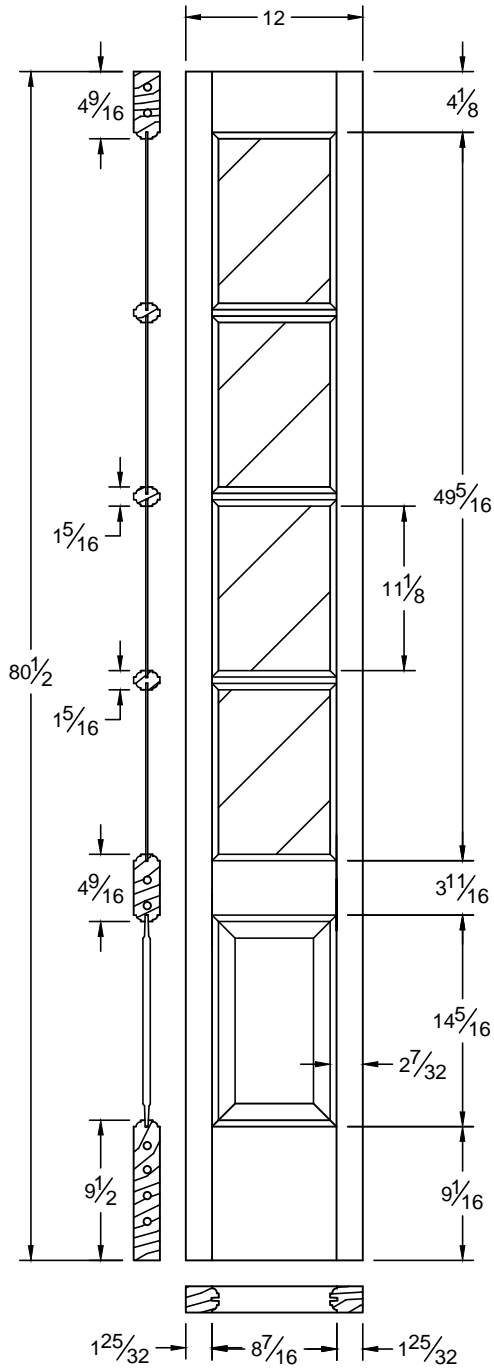
This drawing contains information which is the property of Woodgrain Millwork, Inc. This drawing is received on confidence and contents may not be disclosed without the prior written consent of Woodgrain Millwork, Inc.

1704 / 6704

|           |                  |
|-----------|------------------|
| Draw #:   | Ovolo 1704_14_80 |
| Date:     | 10 - 20 - 12     |
| Drawn By: | T Doughty        |

  
woodgrain doors



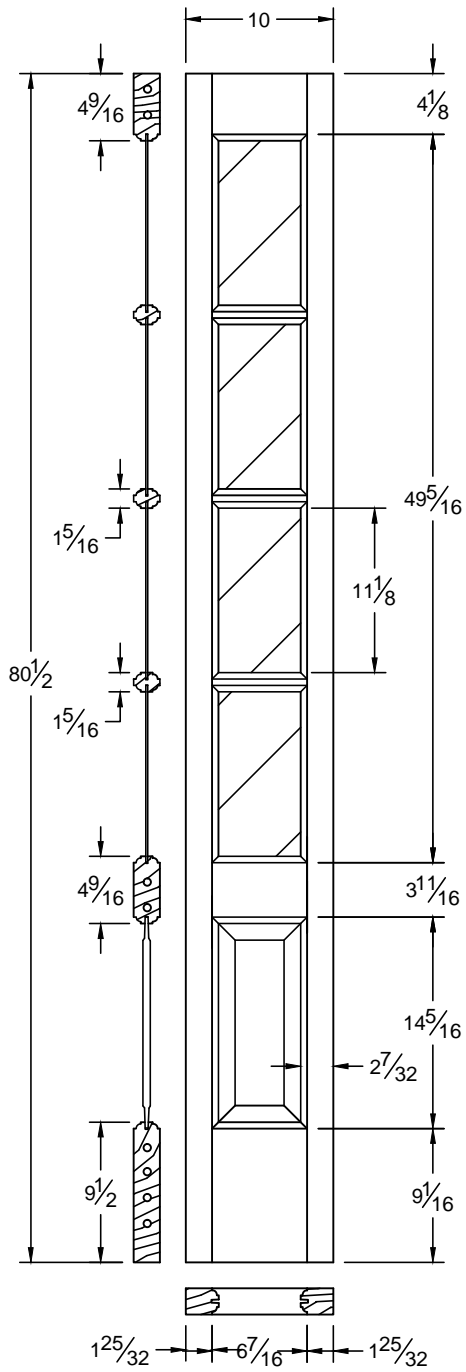


This drawing contains information which is the property of Woodgrain Millwork, Inc. This drawing is received on confidence and contents may not be disclosed without the prior written consent of Woodgrain Millwork, Inc.

**1704 / 6704**

|           |                  |
|-----------|------------------|
| Draw #:   | Ovolo 1704_12_80 |
| Date:     | 10 - 20 - 12     |
| Drawn By: | T Doughty        |

  
woodgrain doors



This drawing contains information which is the property of Woodgrain Millwork, Inc. This drawing is received on confidence and contents may not be disclosed without the prior written consent of Woodgrain Millwork, Inc.

1704 / 6704

|           |                  |
|-----------|------------------|
| Draw #:   | Ovolo 1704_10_80 |
| Date:     | 10 - 20 - 12     |
| Drawn By: | T Doughty        |

 woodgrain doors