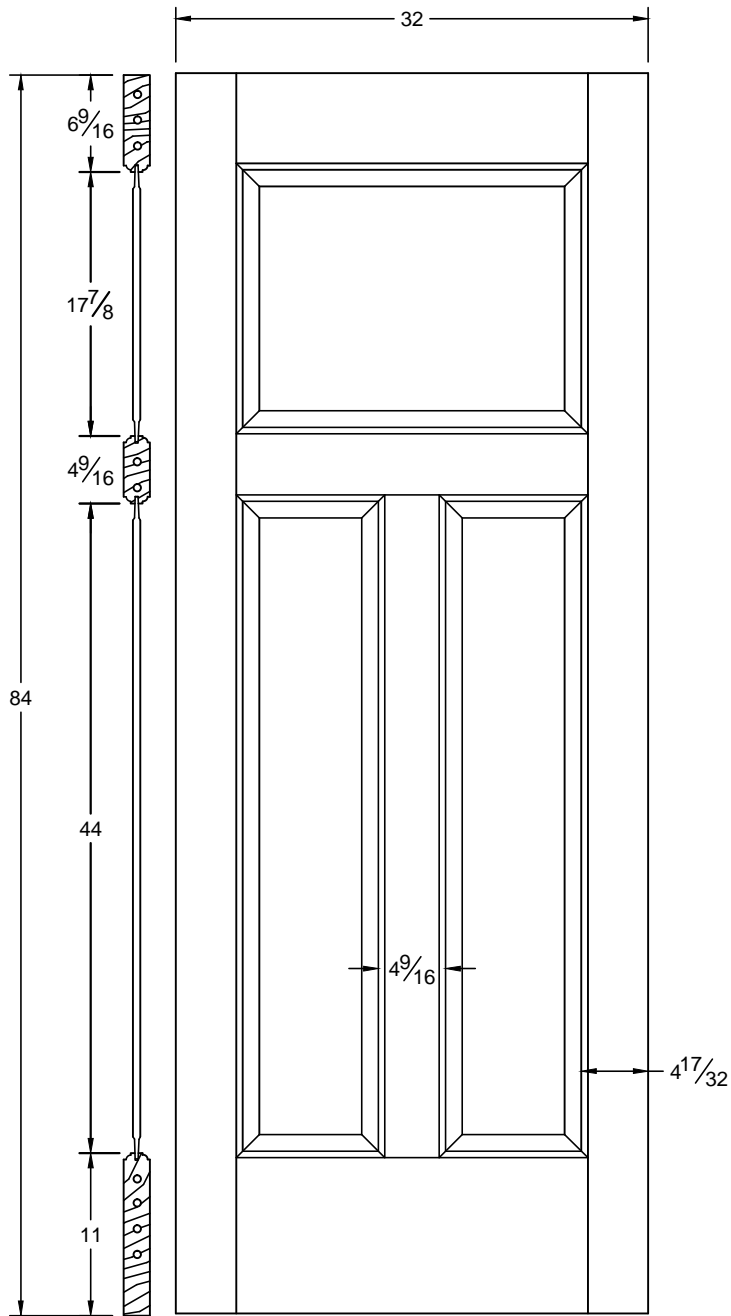


This drawing contains information which is the property of Woodgrain Millwork, Inc. This drawing is received on confidence and contents may not be disclosed without the prior written consent of Woodgrain Millwork, Inc.

103T

| | |
|-----------|------------------|
| Draw #: | Ovolo 103T_34_84 |
| Date: | 01 - 07 - 14 |
| Drawn By: | T Doughty |



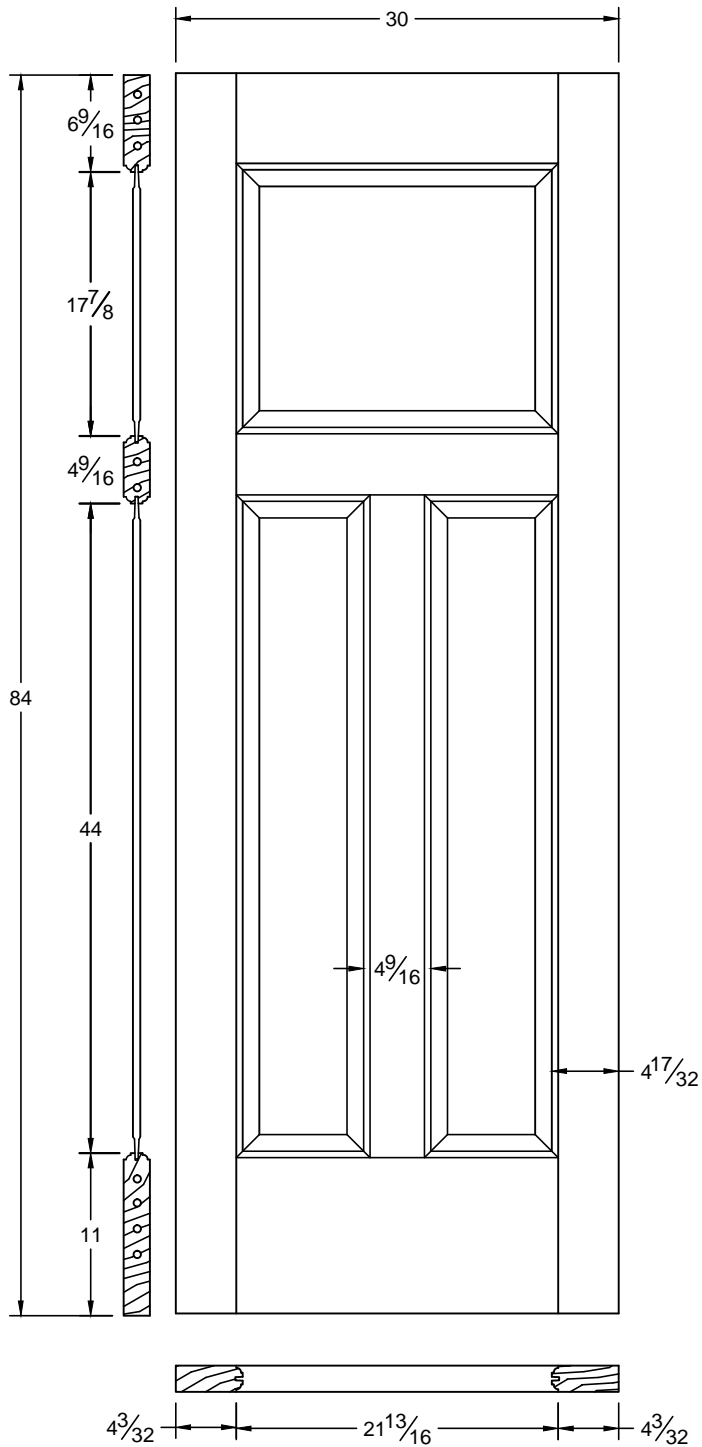


This drawing contains information which is the property of Woodgrain Millwork, Inc. This drawing is received on confidence and contents may not be disclosed without the prior written consent of Woodgrain Millwork, Inc.

103T

| | |
|-----------|------------------|
| Draw #: | Ovolo 103T_32_84 |
| Date: | 01 - 07 - 14 |
| Drawn By: | T Doughty |


 woodgrain doors

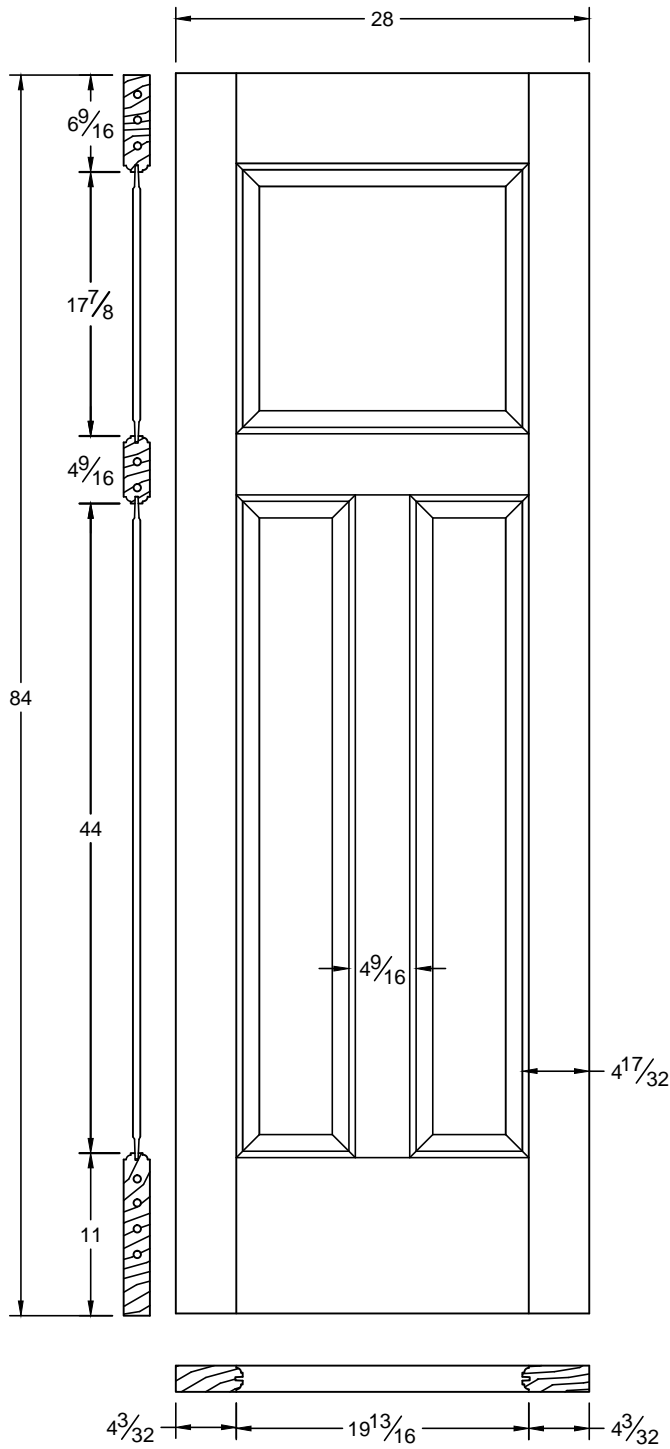


This drawing contains information which is the property of Woodgrain Millwork, Inc. This drawing is received on confidence and contents may not be disclosed without the prior written consent of Woodgrain Millwork, Inc.

103T

| | |
|-----------|------------------|
| Draw #: | Ovolo 103T_30_84 |
| Date: | 01 - 07 - 14 |
| Drawn By: | T Doughty |


 woodgrain doors

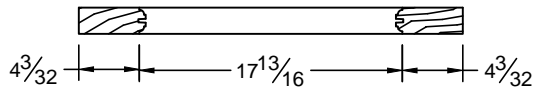
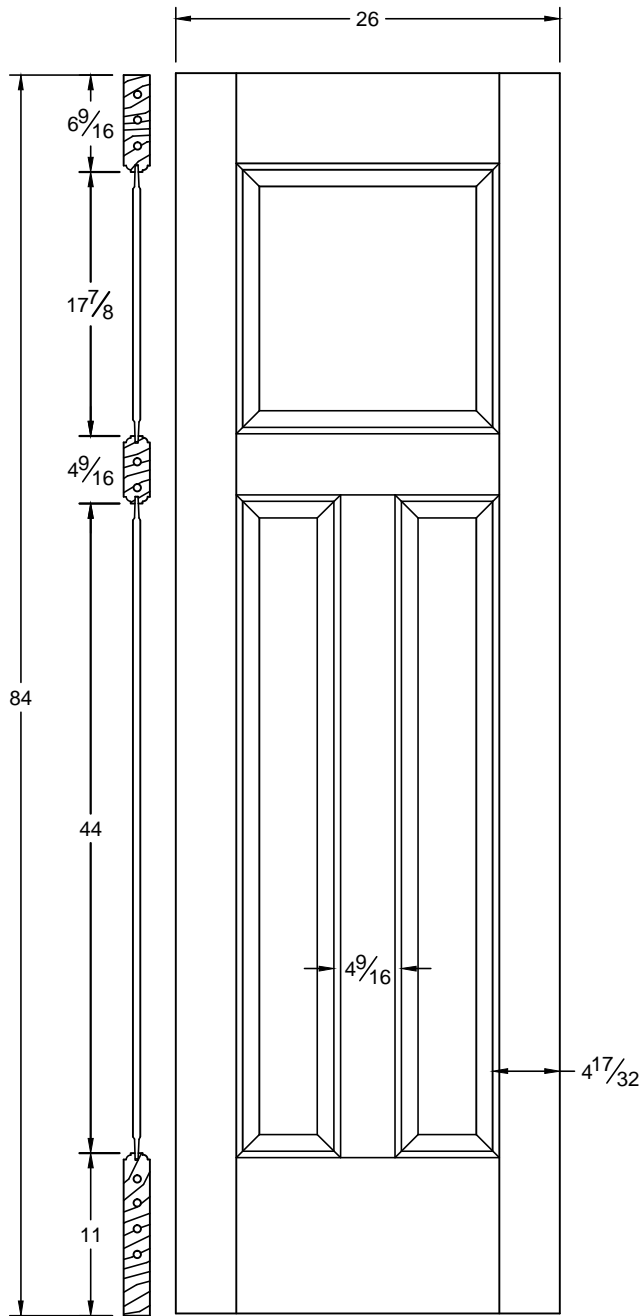


This drawing contains information which is the property of Woodgrain Millwork, Inc. This drawing is received on confidence and contents may not be disclosed without the prior written consent of Woodgrain Millwork, Inc.

103T

| | |
|-----------|------------------|
| Draw #: | Ovolo 103T_28_84 |
| Date: | 01 - 07 - 14 |
| Drawn By: | T Doughty |


 woodgrain doors

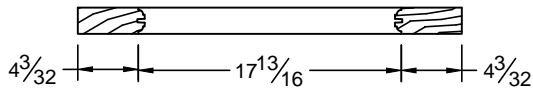
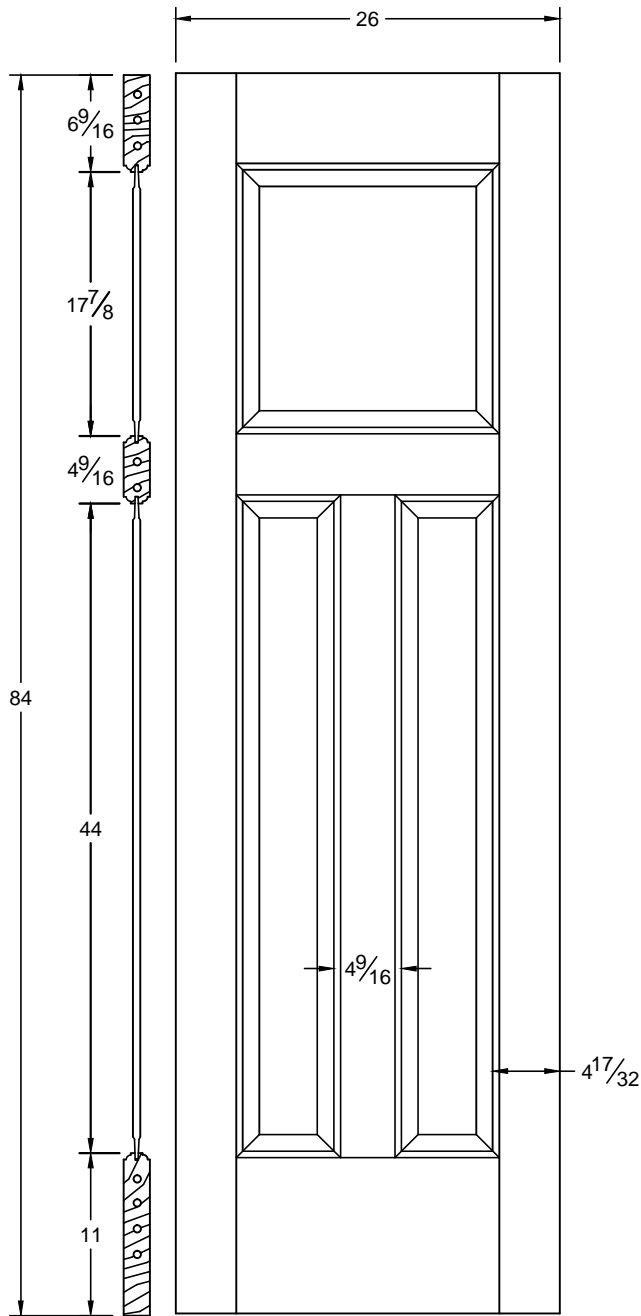


This drawing contains information which is the property of Woodgrain Millwork, Inc. This drawing is received on confidence and contents may not be disclosed without the prior written consent of Woodgrain Millwork, Inc.

103T

| | |
|-----------|------------------|
| Draw #: | Ovolo 103T_26_84 |
| Date: | 01 - 07 - 14 |
| Drawn By: | T Doughty |



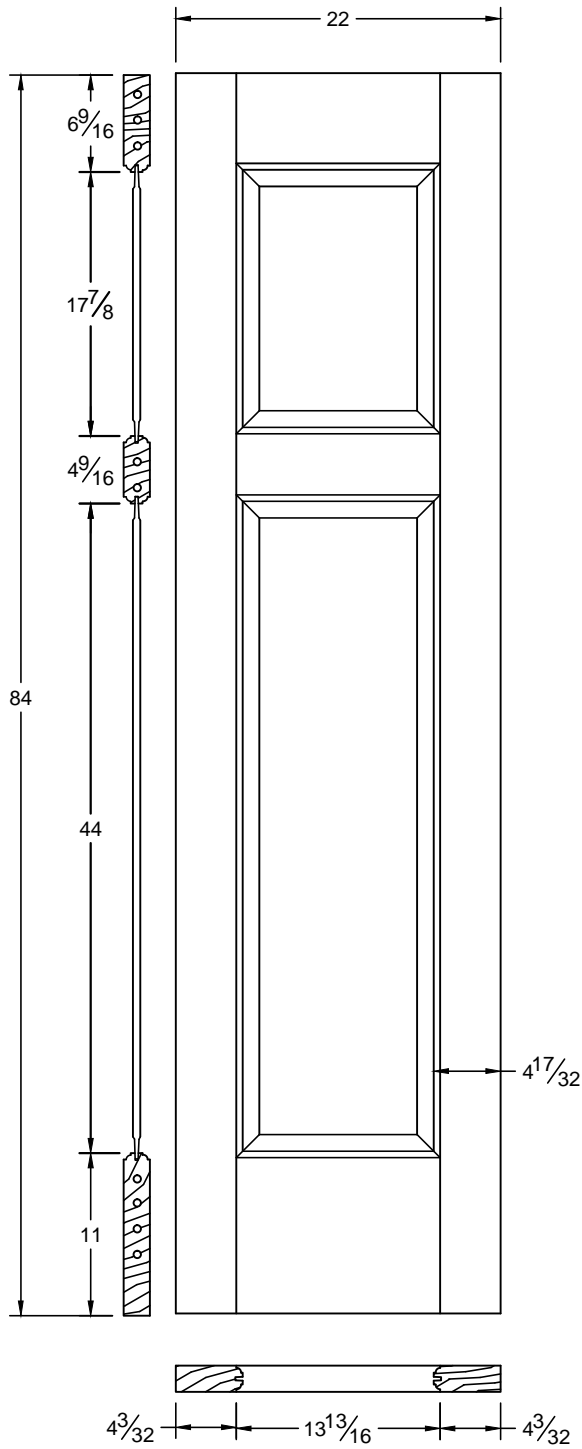


This drawing contains information which is the property of Woodgrain Millwork, Inc. This drawing is received on confidence and contents may not be disclosed without the prior written consent of Woodgrain Millwork, Inc.

103T

| | |
|-----------|------------------|
| Draw #: | Ovolo 103T_26_84 |
| Date: | 01 - 07 - 14 |
| Drawn By: | T Doughty |



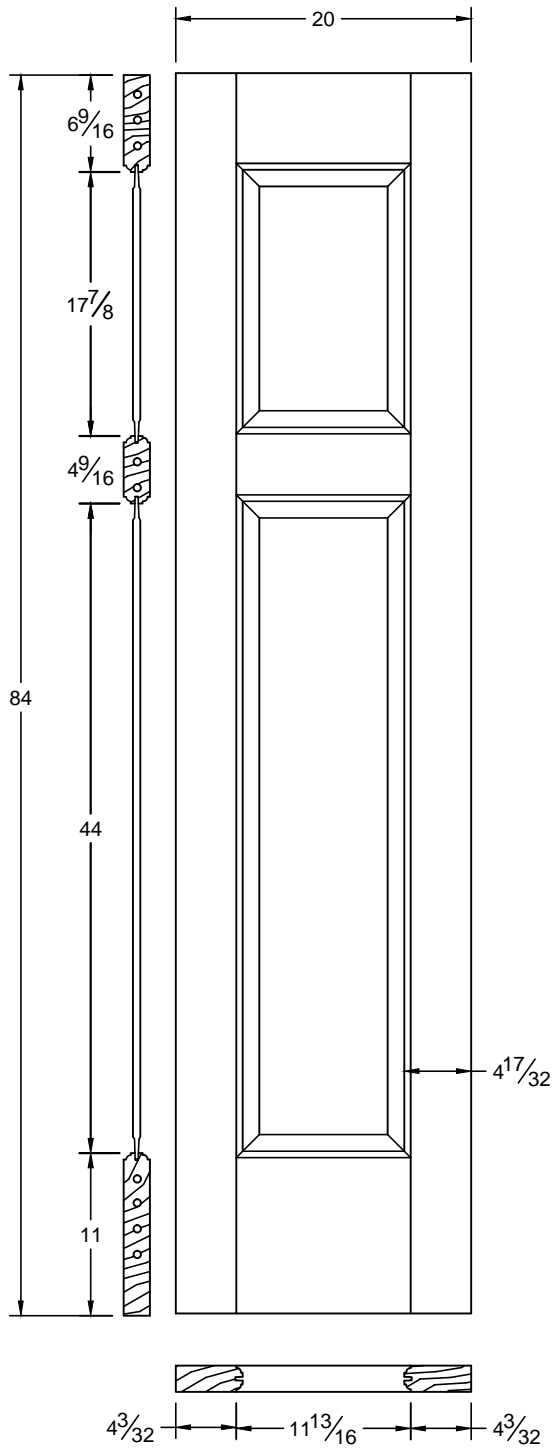


This drawing contains information which is the property of Woodgrain Millwork, Inc. This drawing is received on confidence and contents may not be disclosed without the prior written consent of Woodgrain Millwork, Inc.

103T

| | |
|-----------|------------------|
| Draw #: | Ovolo 103T_22_84 |
| Date: | 01 - 07 - 14 |
| Drawn By: | T Doughty |



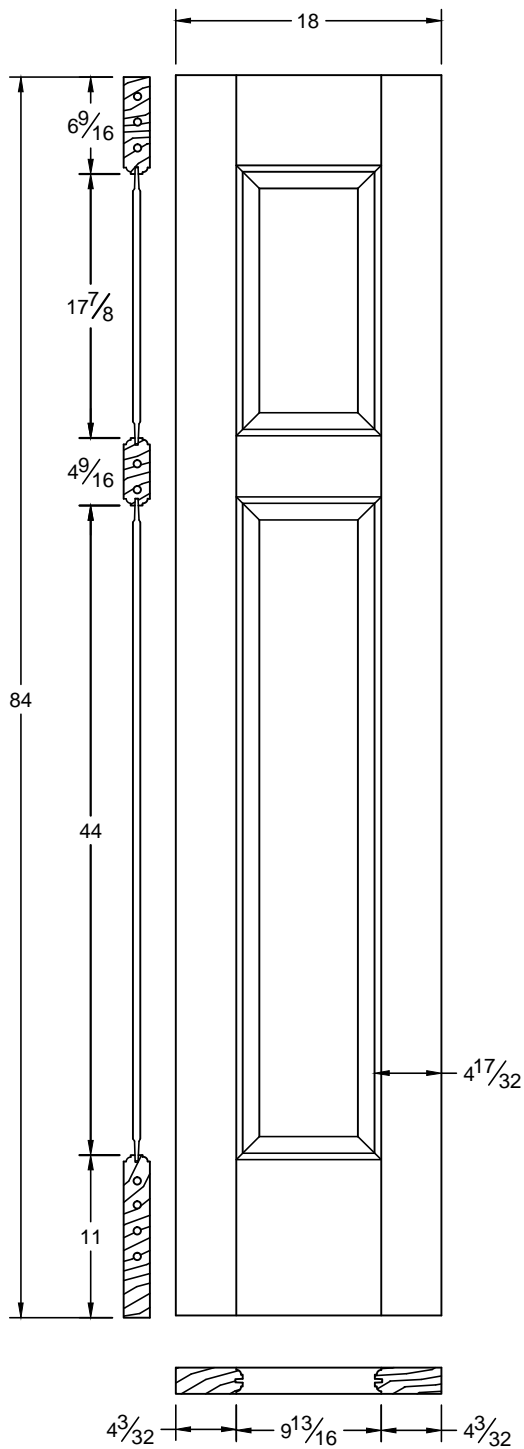


This drawing contains information which is the property of Woodgrain Millwork, Inc. This drawing is received on confidence and contents may not be disclosed without the prior written consent of Woodgrain Millwork, Inc.

103T

| | |
|-----------|------------------|
| Draw #: | Ovolo 103T_20_84 |
| Date: | 01 - 07 - 14 |
| Drawn By: | T Doughty |



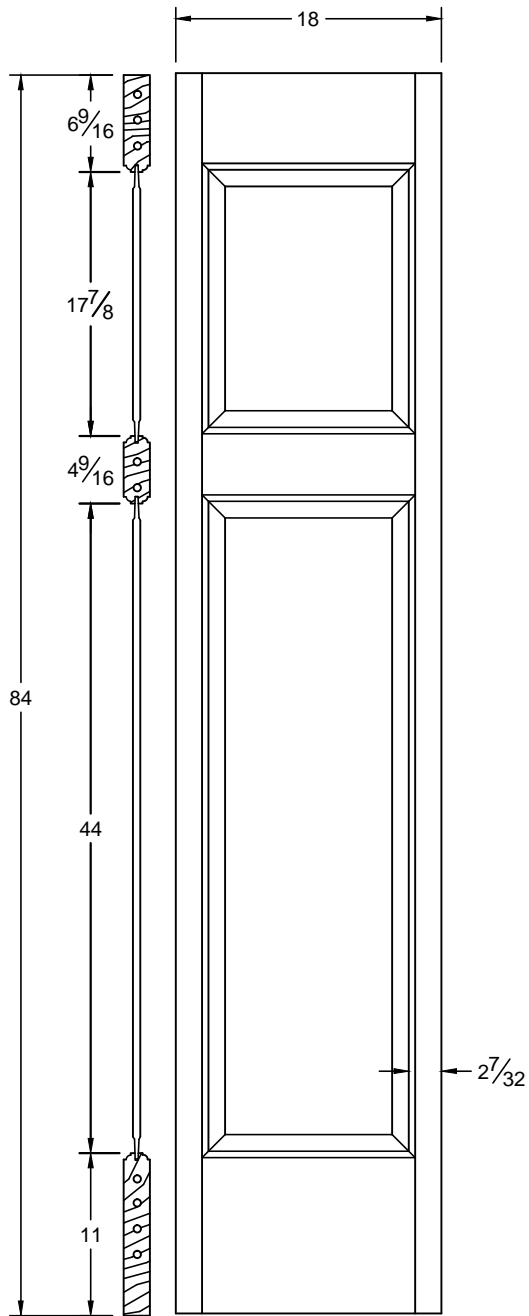


This drawing contains information which is the property of Woodgrain Millwork, Inc. This drawing is received on confidence and contents may not be disclosed without the prior written consent of Woodgrain Millwork, Inc.

103T

| | |
|-----------|------------------|
| Draw #: | Ovolo 103T_18_84 |
| Date: | 01 - 07 - 14 |
| Drawn By: | T Doughty |



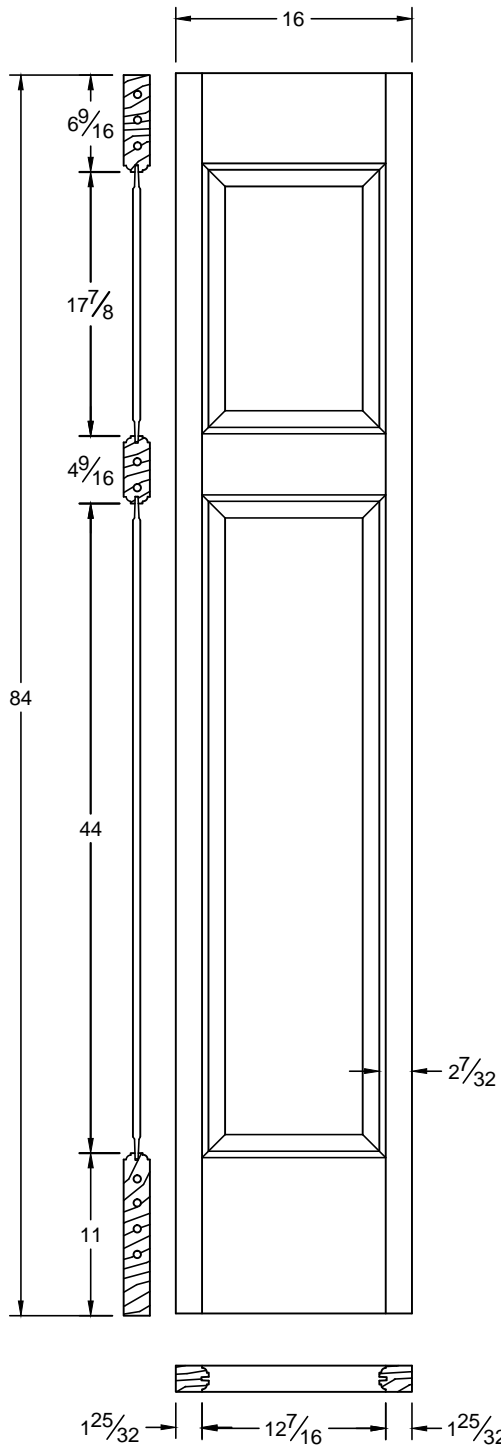


This drawing contains information which is the property of Woodgrain Millwork, Inc. This drawing is received on confidence and contents may not be disclosed without the prior written consent of Woodgrain Millwork, Inc.

103T

| | |
|-----------|--------------------|
| Draw #: | Ovolo 103T_18_84-2 |
| Date: | 01 - 07 - 14 |
| Drawn By: | T Doughty |

 woodgrain doors



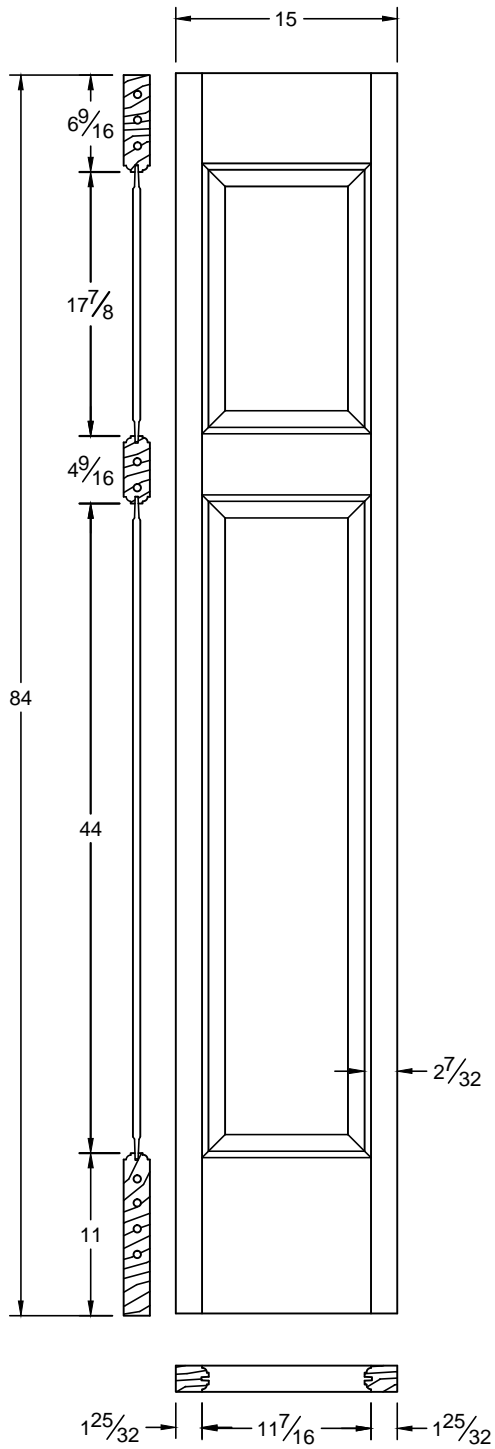
This drawing contains information which is the property of Woodgrain Millwork, Inc. This drawing is received on confidence and contents may not be disclosed without the prior written consent of Woodgrain Millwork, Inc.

103T

| | |
|-----------|--------------------|
| Draw #: | Ovolo 103T_16_84-2 |
| Date: | 01 - 07 - 14 |
| Drawn By: | T Doughty |



 woodgrain doors

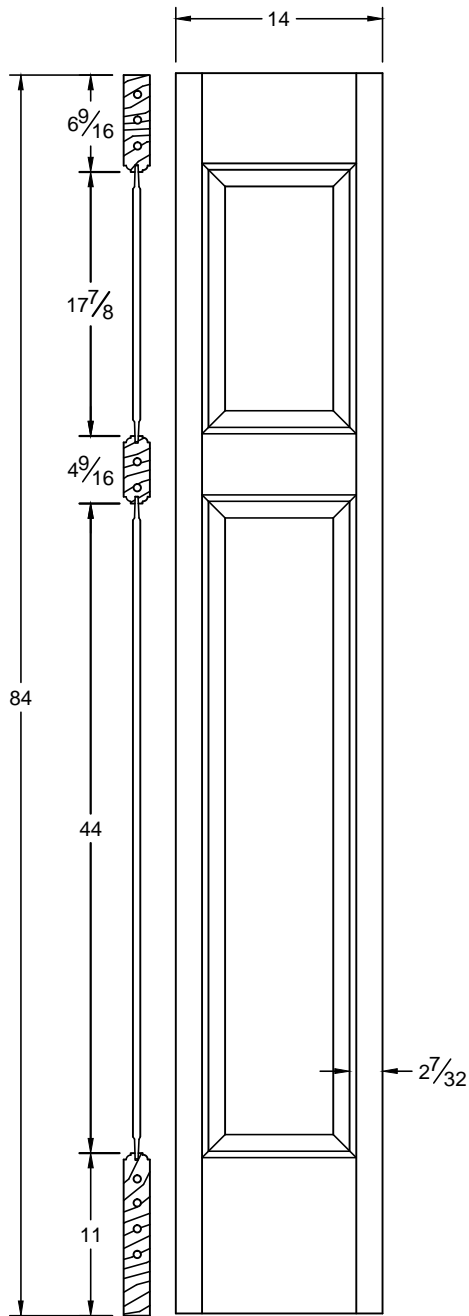


This drawing contains information which is the property of Woodgrain Millwork, Inc. This drawing is received on confidence and contents may not be disclosed without the prior written consent of Woodgrain Millwork, Inc.

103T

| | |
|-----------|--------------------|
| Draw #: | Ovolo 103T_15_84-2 |
| Date: | 01 - 07 - 14 |
| Drawn By: | T Doughty |


 woodgrain doors



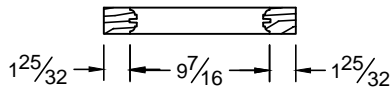
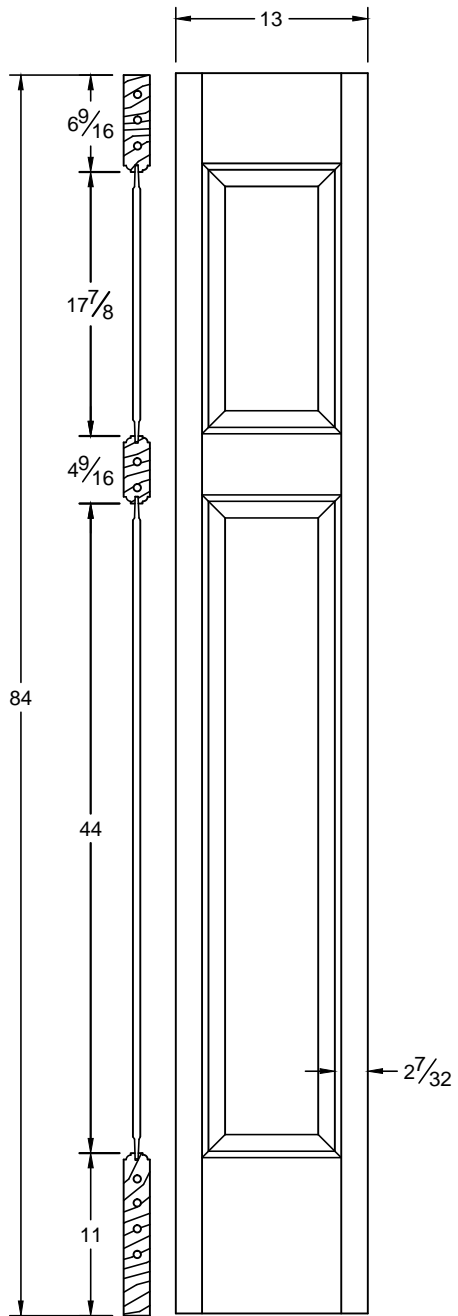
This drawing contains information which is the property of Woodgrain Millwork, Inc. This drawing is received on confidence and contents may not be disclosed without the prior written consent of Woodgrain Millwork, Inc.

103T

| | |
|-----------|--------------------|
| Draw #: | Ovolo 103T_14_84-2 |
| Date: | 01 - 07 - 14 |
| Drawn By: | T Doughty |



 woodgrain doors

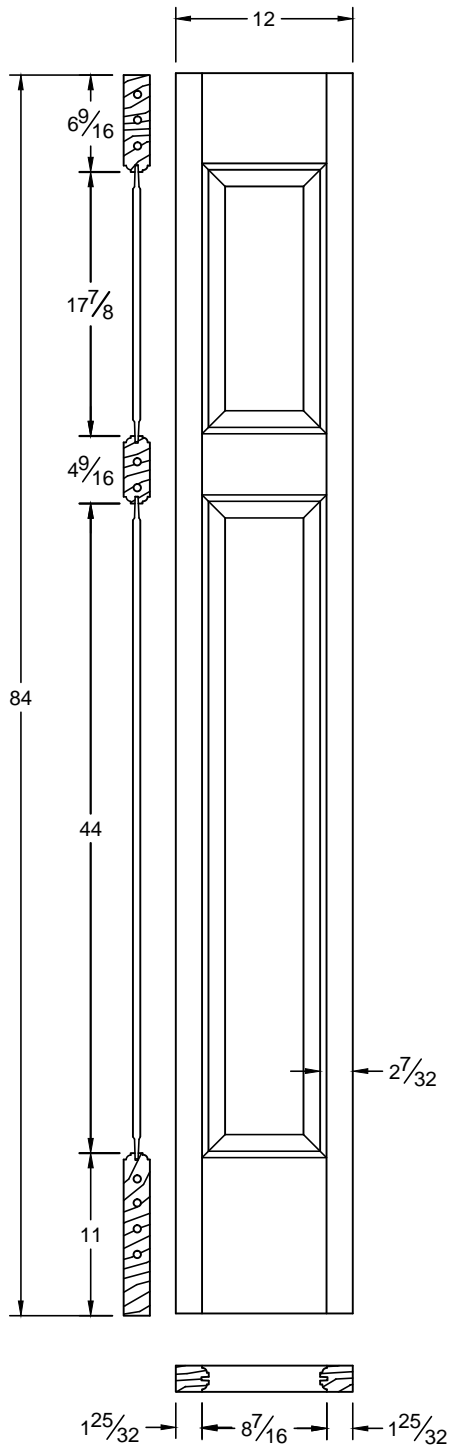


This drawing contains information which is the property of Woodgrain Millwork, Inc. This drawing is received on confidence and contents may not be disclosed without the prior written consent of Woodgrain Millwork, Inc.

103T

| | |
|-----------|--------------------|
| Draw #: | Ovolo 103T_13_84-2 |
| Date: | 01 - 07 - 14 |
| Drawn By: | T Doughty |





This drawing contains information which is the property of Woodgrain Millwork, Inc. This drawing is received on confidence and contents may not be disclosed without the prior written consent of Woodgrain Millwork, Inc.

103T

| | |
|-----------|--------------------|
| Draw #: | Ovolo 103T_12_84-2 |
| Date: | 01 - 07 - 14 |
| Drawn By: | T Doughty |

 woodgrain doors