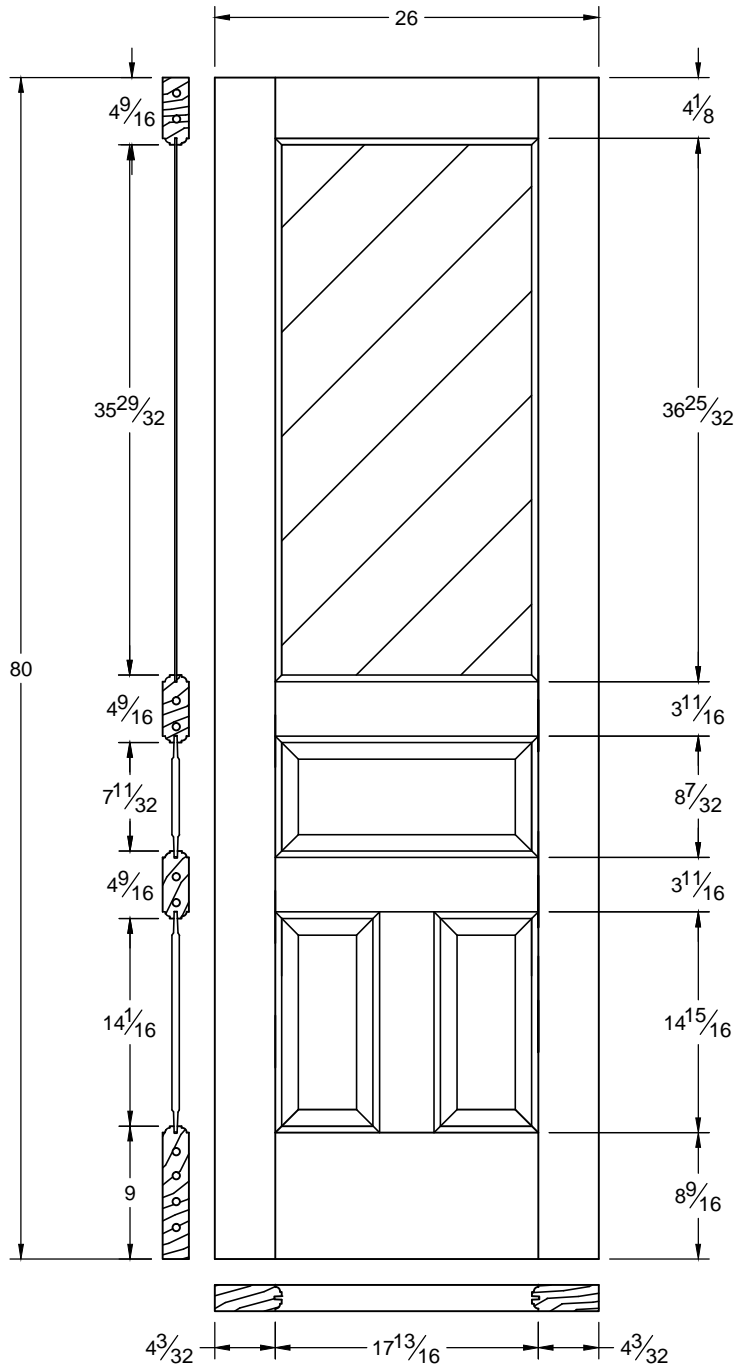


This drawing contains information which is the property of Woodgrain Millwork, Inc. This drawing is received on confidence and contents may not be disclosed without the prior written consent of Woodgrain Millwork, Inc.

567 / 6567

Draw #:	Ovolo 567_28_80
Date:	02 - 16 - 14
Drawn By:	T Doughty



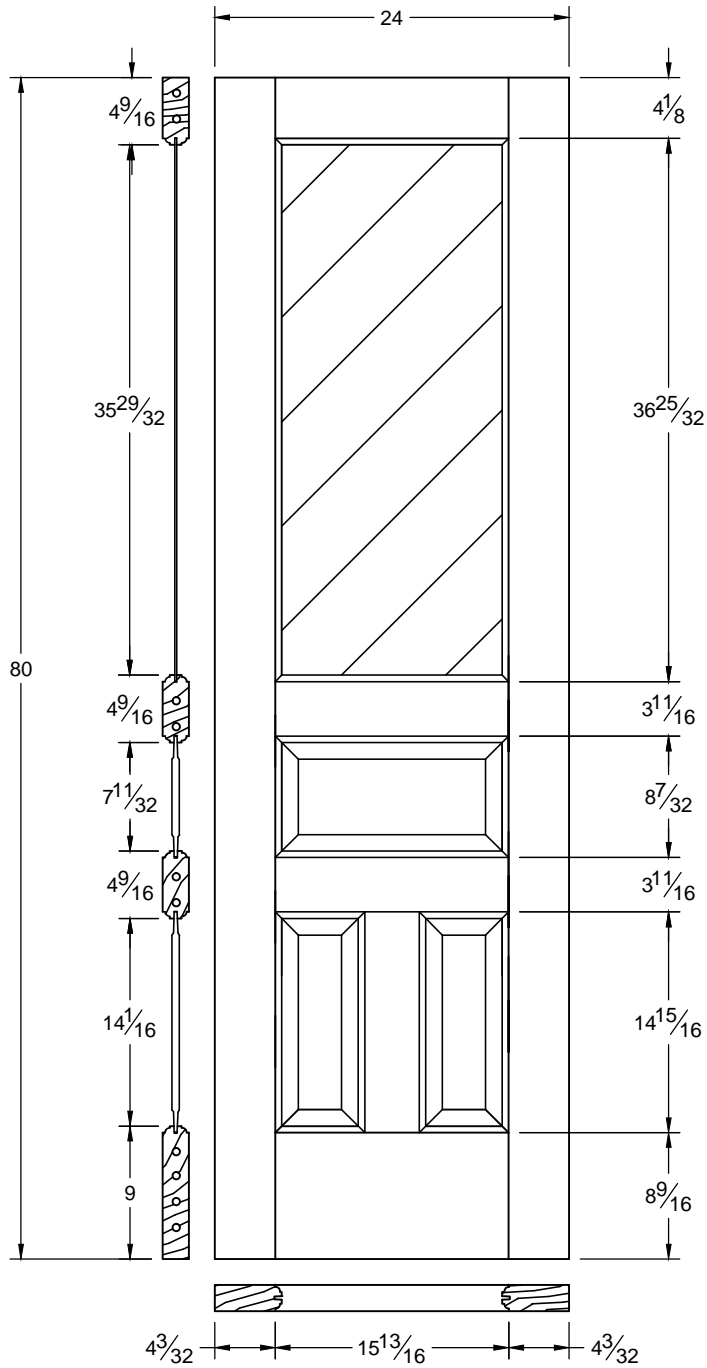


This drawing contains information which is the property of Woodgrain Millwork, Inc. This drawing is received on confidence and contents may not be disclosed without the prior written consent of Woodgrain Millwork, Inc.

567 / 6567

Draw #:	Ovolo 567_26_80
Date:	02 - 16 - 14
Drawn By:	T Doughty

 woodgrain doors

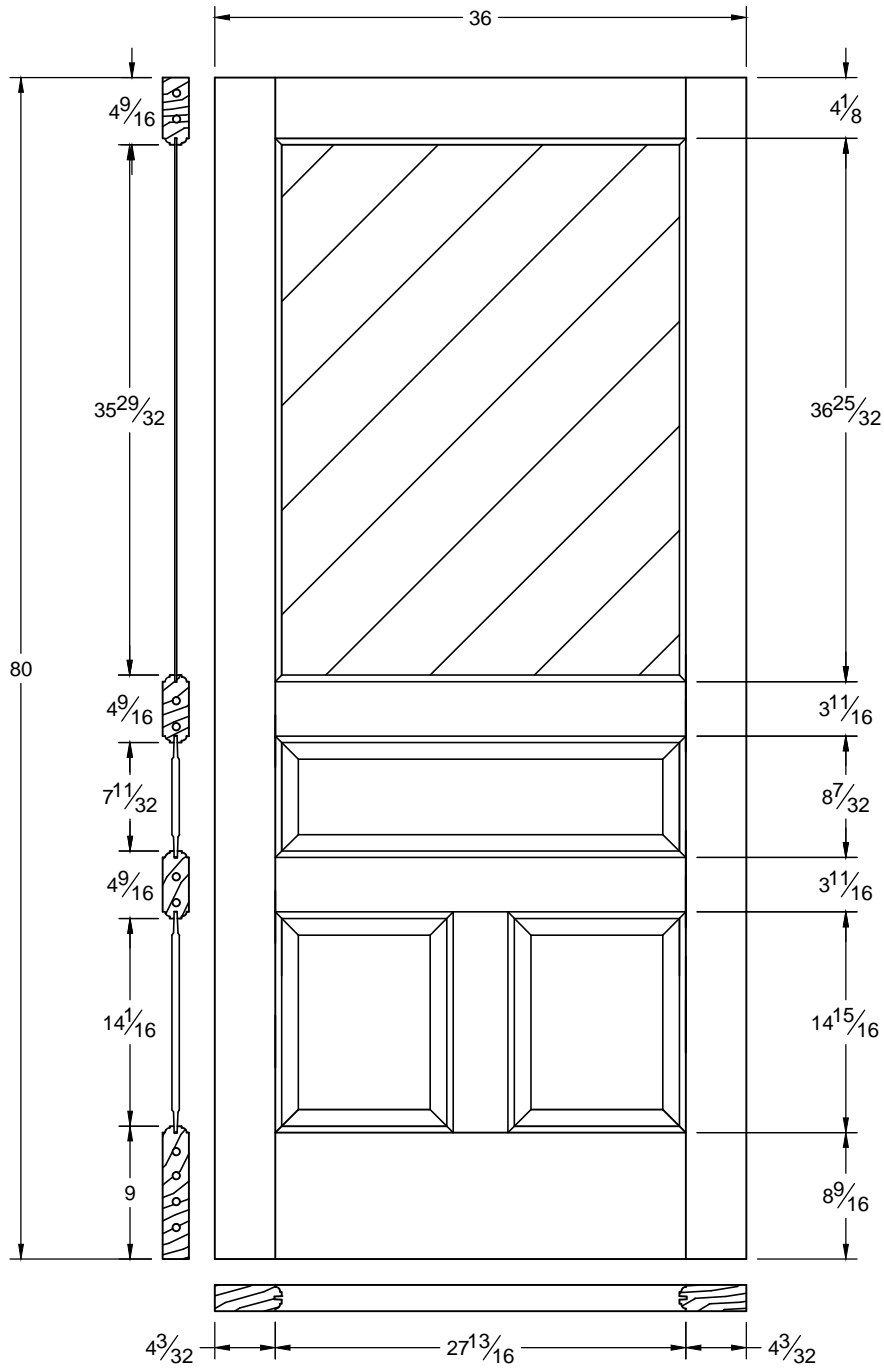


This drawing contains information which is the property of Woodgrain Millwork, Inc. This drawing is received on confidence and contents may not be disclosed without the prior written consent of Woodgrain Millwork, Inc.

567 / 6567

Draw #:	Ovolo 567_24_80
Date:	02 - 16 - 14
Drawn By:	T Doughty

 woodgrain doors

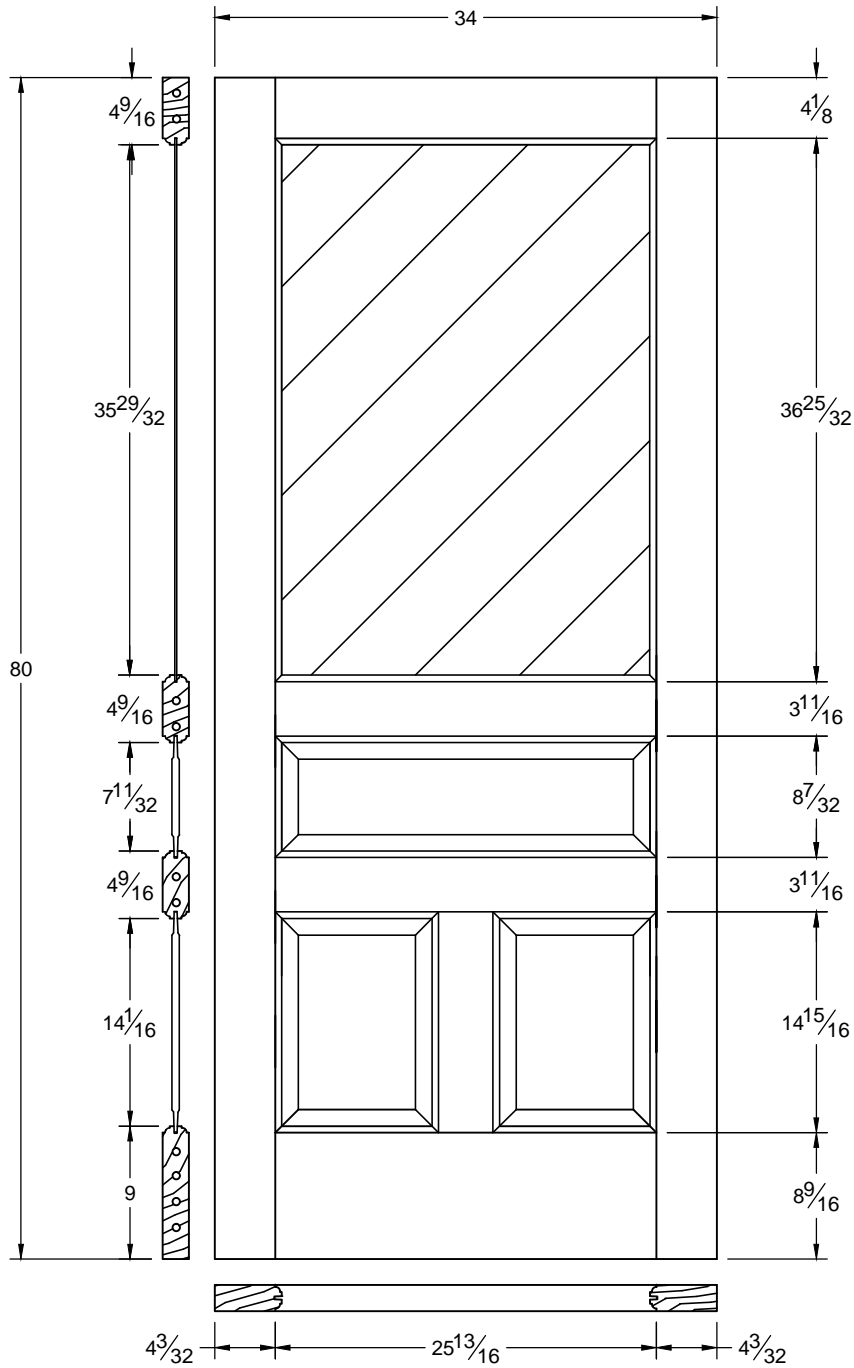


This drawing contains information which is the property of Woodgrain Millwork, Inc. This drawing is received on confidence and contents may not be disclosed without the prior written consent of Woodgrain Millwork, Inc.

567 / 6567

Draw #: Ovolo 567_36_80
 Date: 02 - 16 - 14
 Drawn By: T Doughty


 woodgrain doors

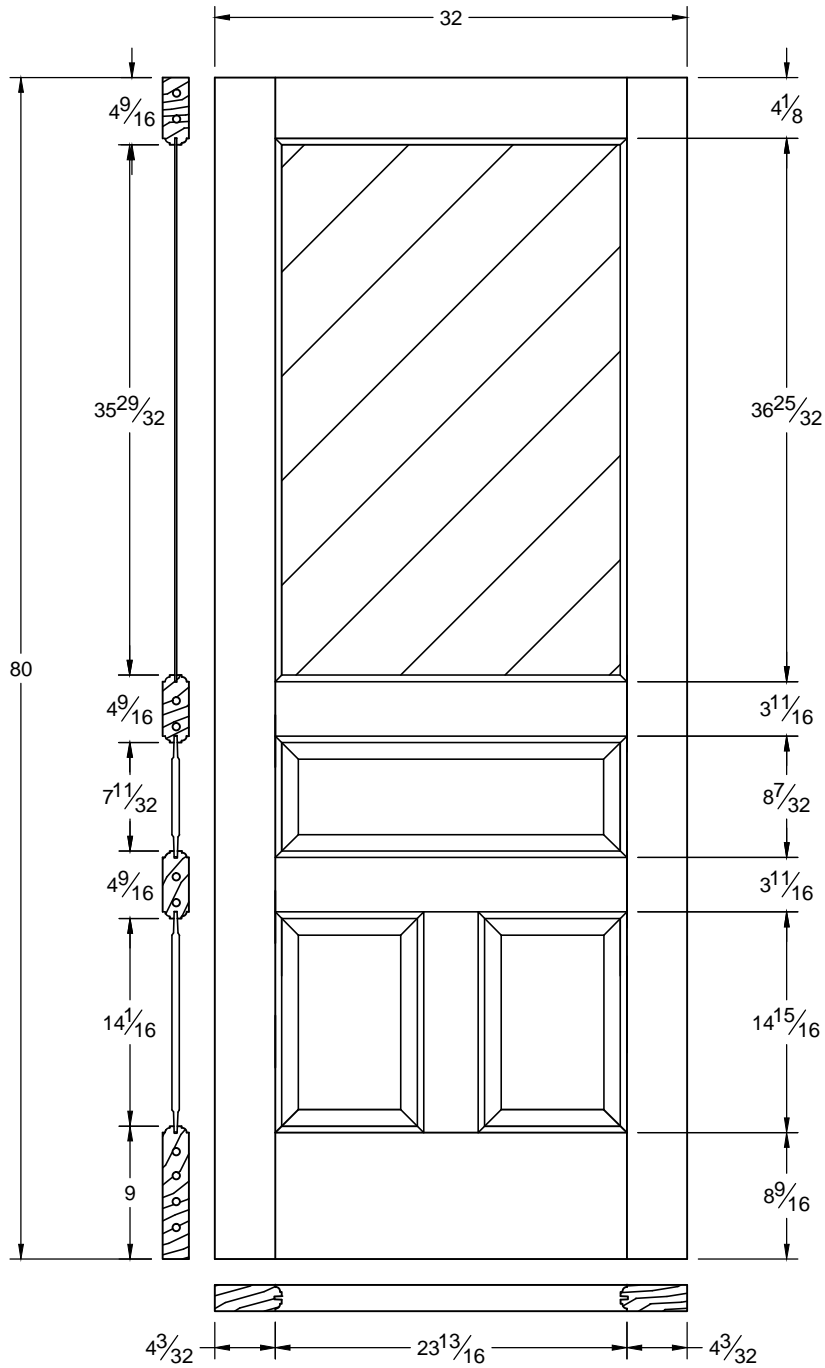


This drawing contains information which is the property of Woodgrain Millwork, Inc. This drawing is received on confidence and contents may not be disclosed without the prior written consent of Woodgrain Millwork, Inc.

567 / 6567

Draw #: Ovolo 567_34_80
 Date: 02 - 16 - 14
 Drawn By: T Doughty


 woodgrain doors

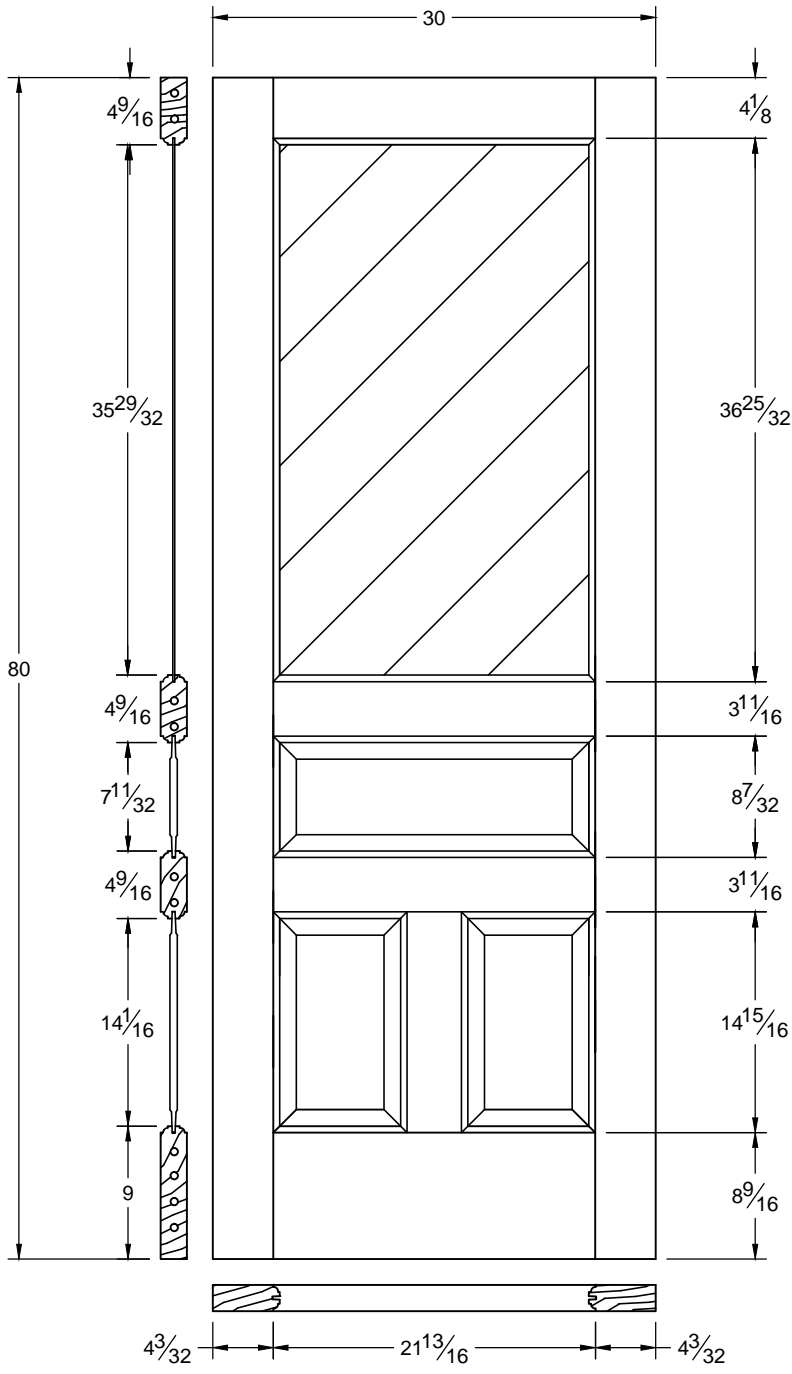


This drawing contains information which is the property of Woodgrain Millwork, Inc. This drawing is received on confidence and contents may not be disclosed without the prior written consent of Woodgrain Millwork, Inc.

567 / 6567

Draw #: Ovolo 567_32_80
 Date: 02 - 16 - 14
 Drawn By: T Doughty


 woodgrain doors



This drawing contains information which is the property of Woodgrain Millwork, Inc. This drawing is received on confidence and contents may not be disclosed without the prior written consent of Woodgrain Millwork, Inc.

567 / 6567

Draw #:	Ovolo 567_30_80
Date:	02 - 16 - 14
Drawn By:	T Doughty

