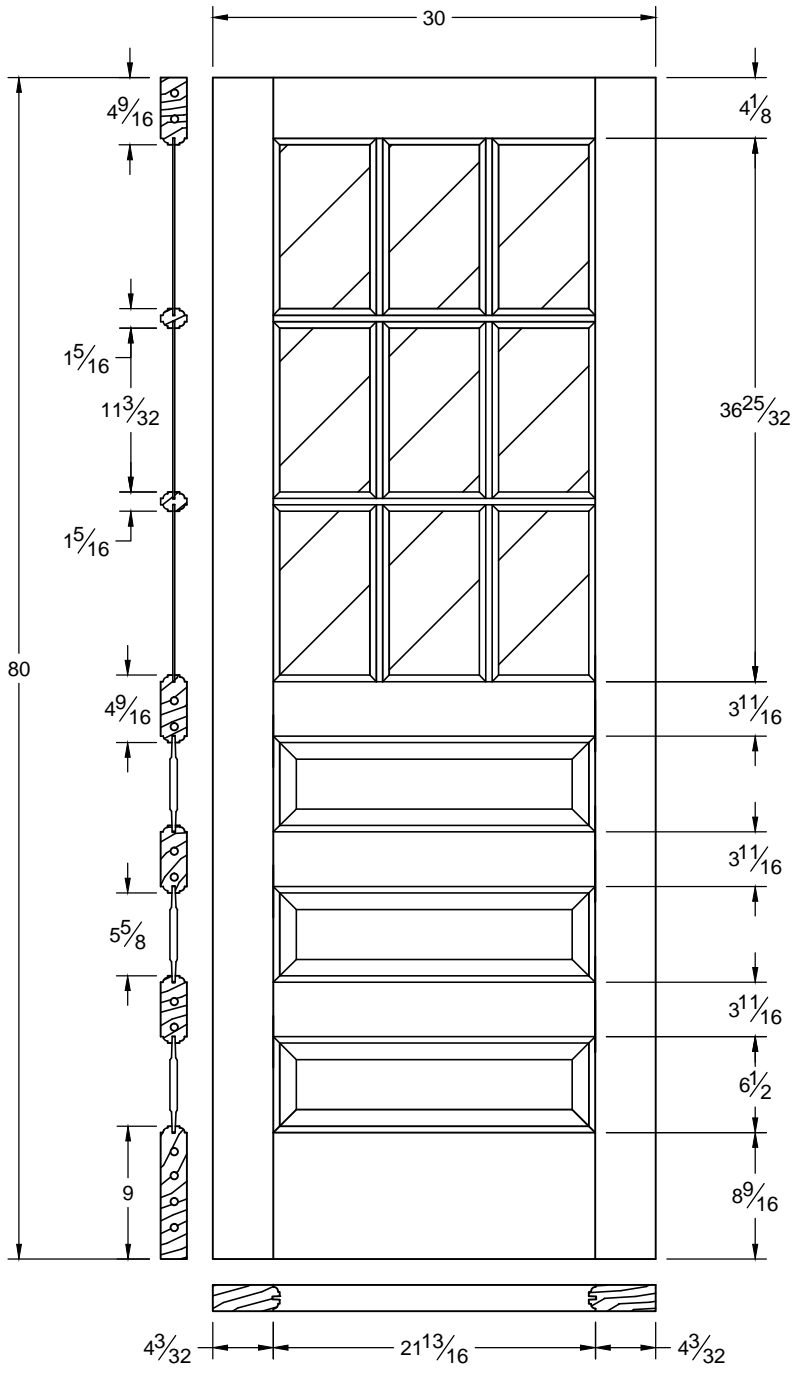


This drawing contains information which is the property of Woodgrain Millwork, Inc. This drawing is received on confidence and contents may not be disclosed without the prior written consent of Woodgrain Millwork, Inc.

572 / 6572

Draw #: Ovolo 572_32_80
 Date: 02 - 16 - 14
 Drawn By: T Doughty



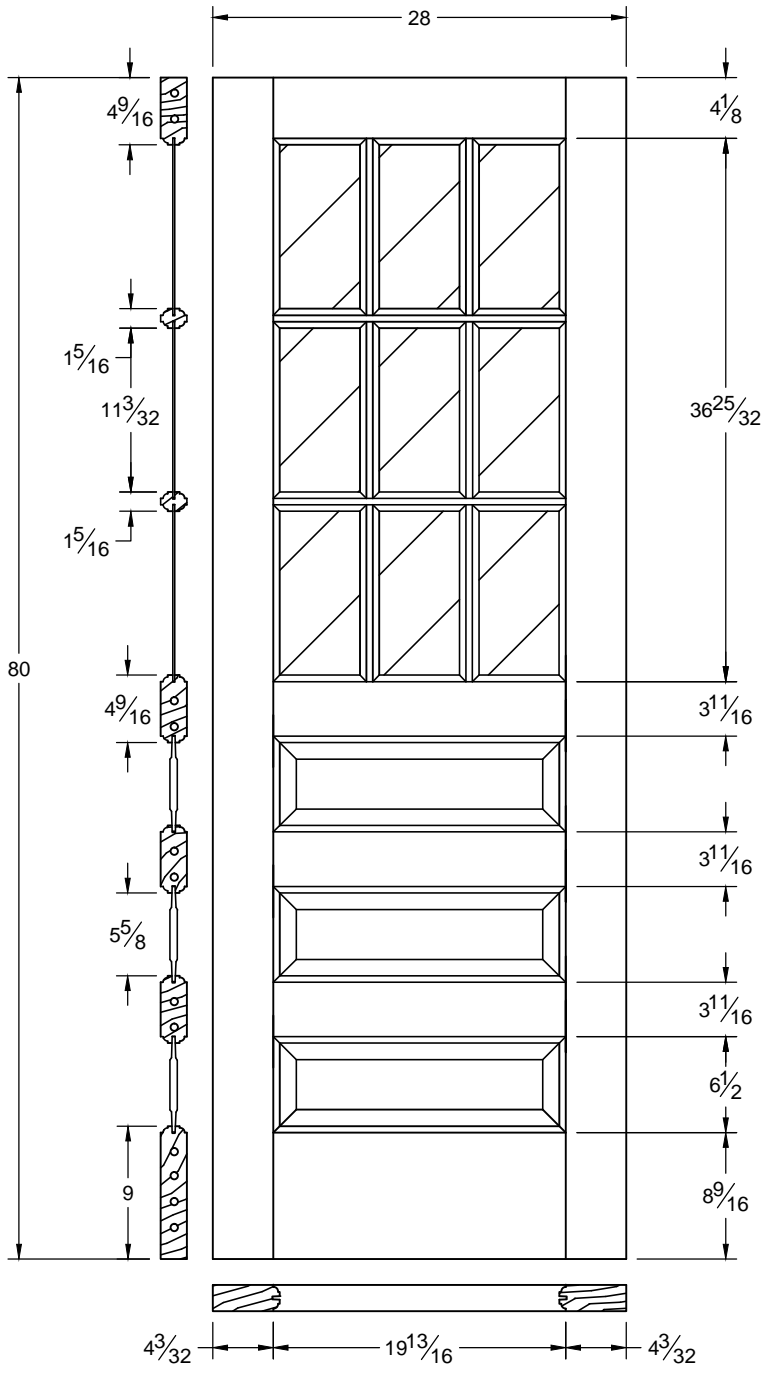


This drawing contains information which is the property of Woodgrain Millwork, Inc. This drawing is received on confidence and contents may not be disclosed without the prior written consent of Woodgrain Millwork, Inc.

572 / 6572

Draw #:	Ovolo 572_30_80
Date:	02 - 16 - 14
Drawn By:	T Doughty



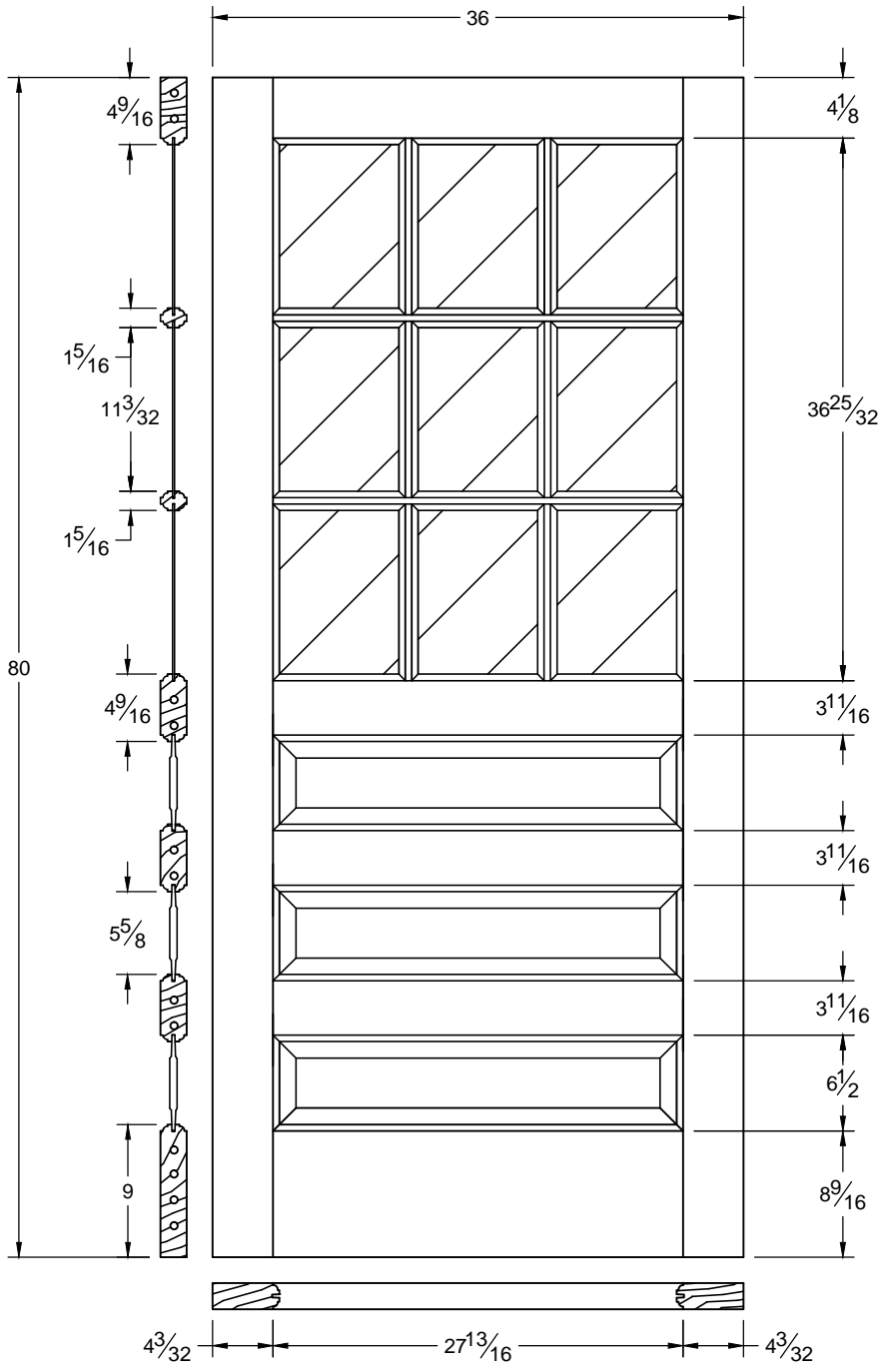


This drawing contains information which is the property of Woodgrain Millwork, Inc. This drawing is received on confidence and contents may not be disclosed without the prior written consent of Woodgrain Millwork, Inc.

572 / 6572

Draw #:	Ovolo 572_28_80
Date:	02 - 16 - 14
Drawn By:	T Doughty



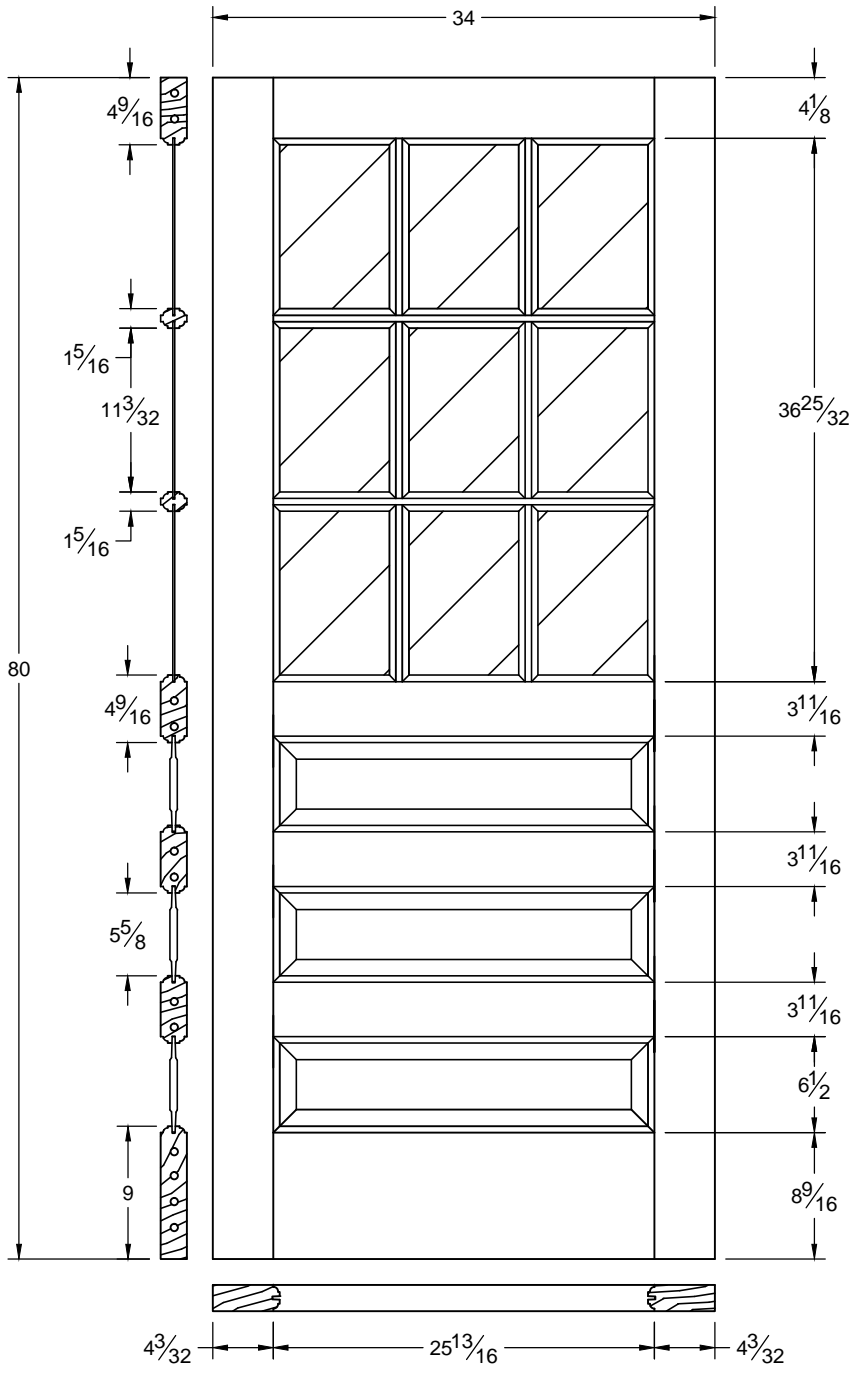


This drawing contains information which is the property of Woodgrain Millwork, Inc. This drawing is received on confidence and contents may not be disclosed without the prior written consent of Woodgrain Millwork, Inc.

572 / 6572

Draw #:	Ovolo 572_36_80
Date:	02 - 16 - 14
Drawn By:	T Doughty





This drawing contains information which is the property of Woodgrain Millwork, Inc. This drawing is received on confidence and contents may not be disclosed without the prior written consent of Woodgrain Millwork, Inc.

572 / 6572

Draw #:	Ovolo 572_34_80
Date:	02 - 16 - 14
Drawn By:	T Doughty

