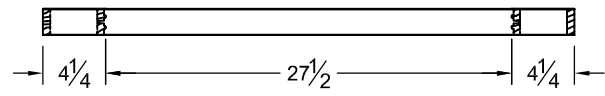
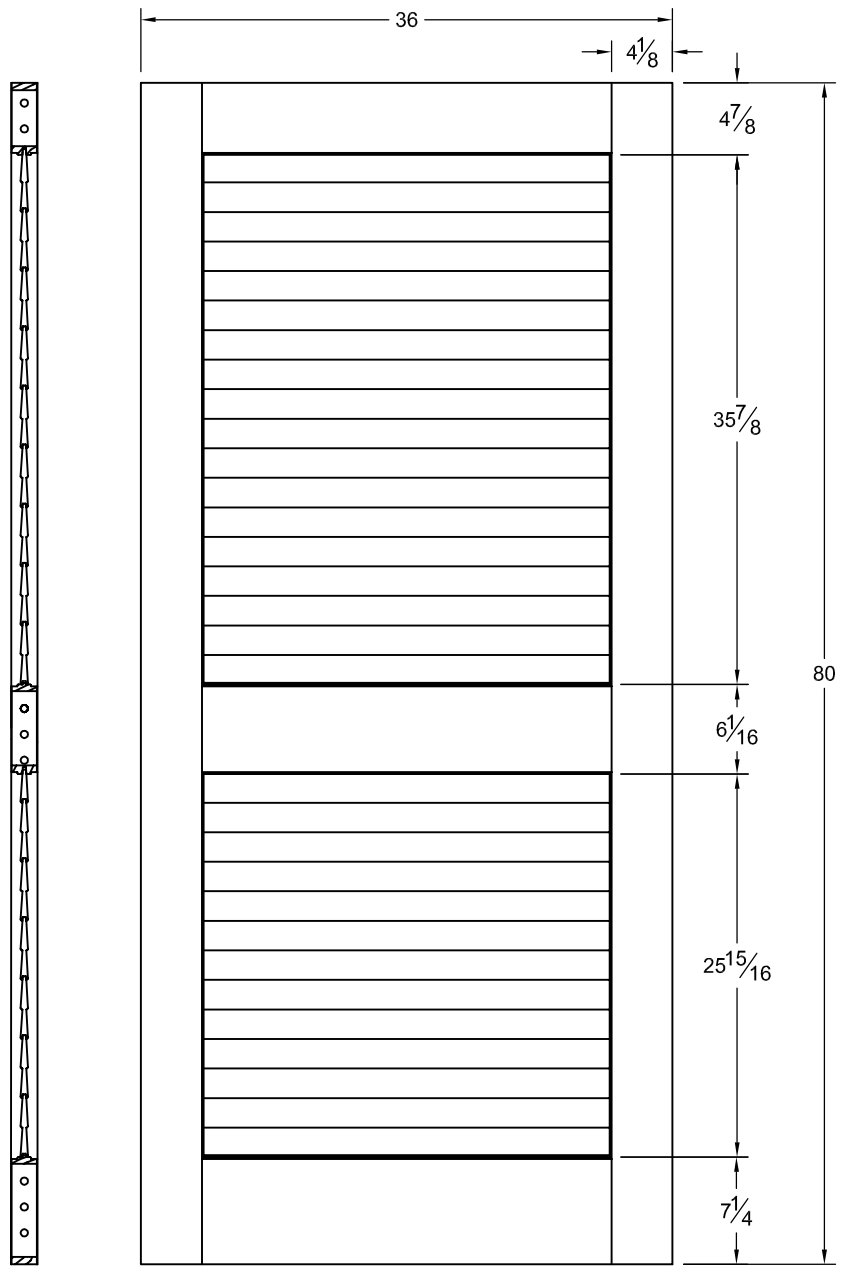


of louvers
in top section
18

of louvers
in bottom section
13



Note: All rail dimensions are a overall measurement.

This drawing contains information which is the property of Woodgrain Millwork, Inc. This drawing is received on confidence and contents may not be disclosed without the prior written consent of Woodgrain Millwork, Inc.

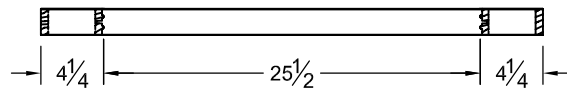
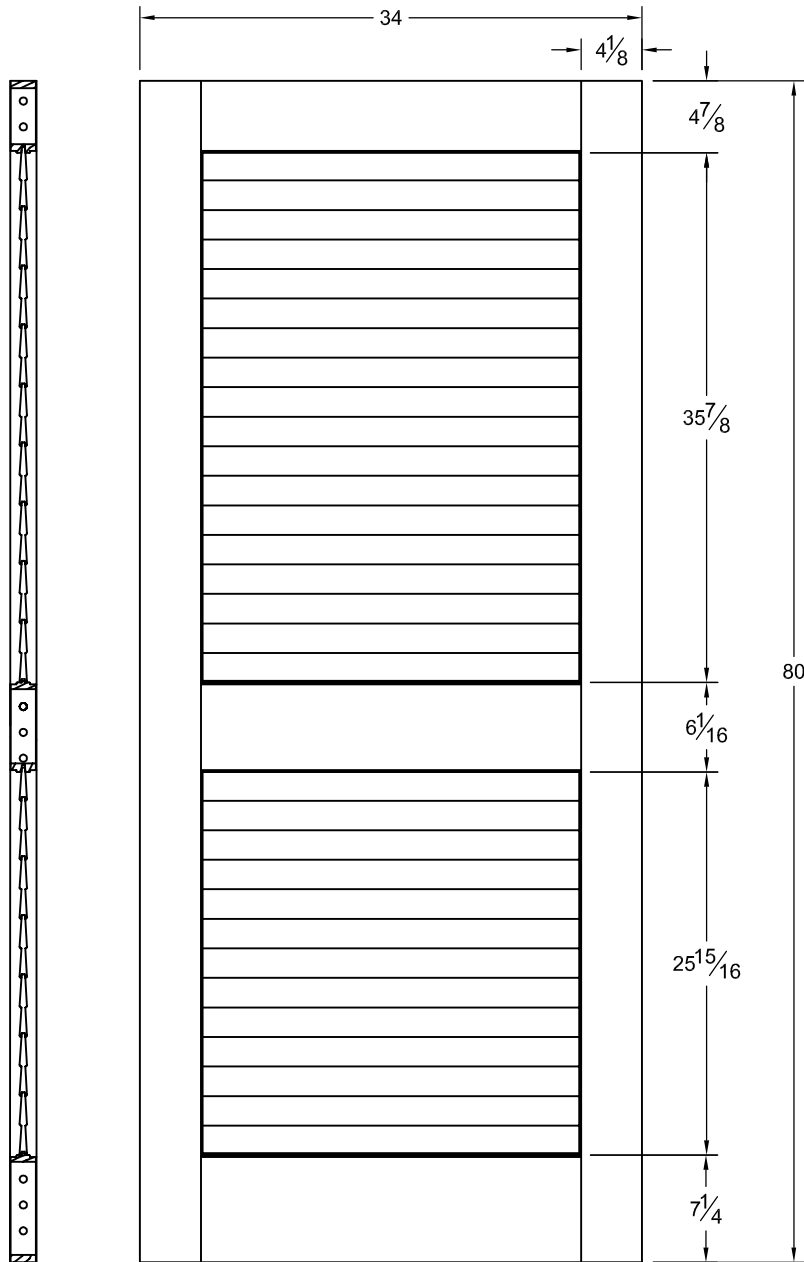
PF 730

Draw #:	Taper PF730_36_80_4
Date:	01 - 06 - 18
Drawn By:	T Doughty



of louvers
in top section
18

of louvers
in bottom section
13



Note: All rail dimensions are a overall measurement.

This drawing contains information which is the property of Woodgrain Millwork, Inc. This drawing is received on confidence and contents may not be disclosed without the prior written consent of Woodgrain Millwork, Inc.

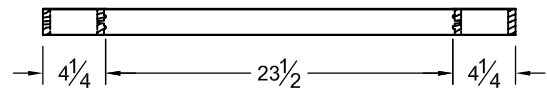
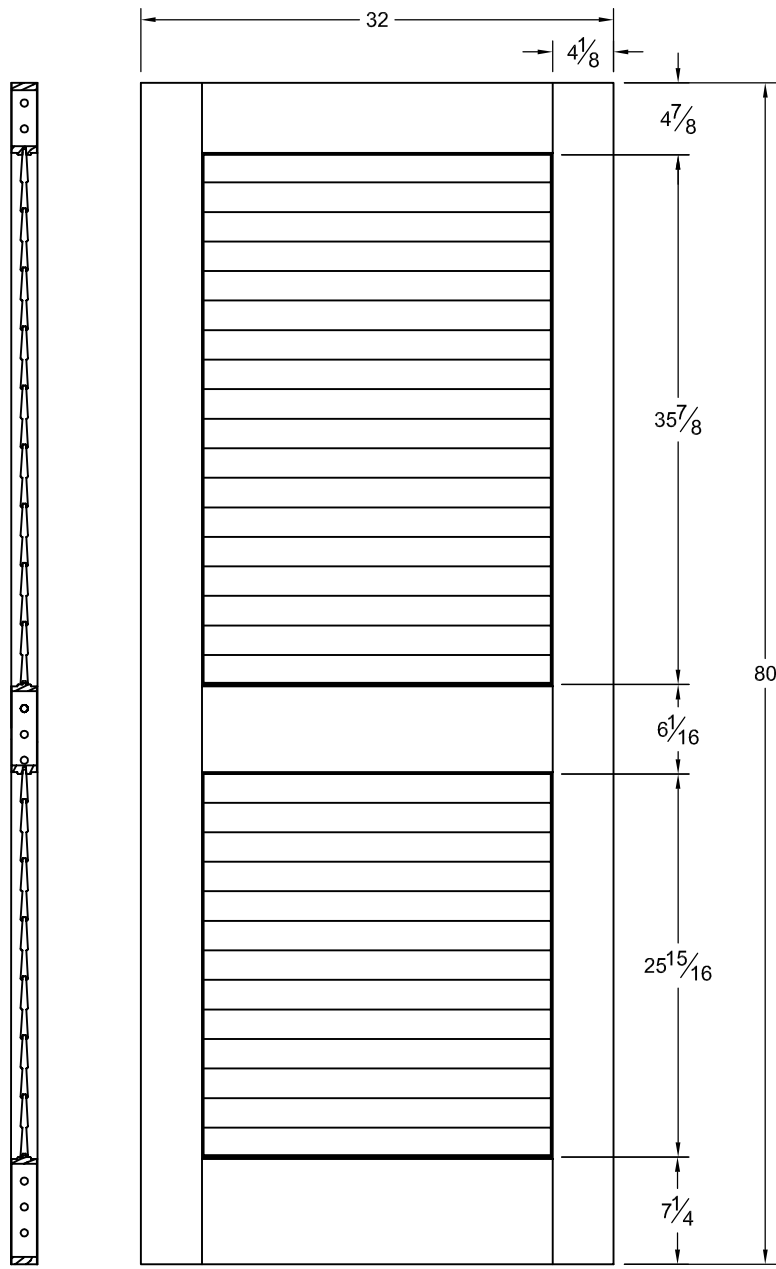
PF 730

Draw #:	Taper PF730_34_80_4
Date:	01 - 06 - 18
Drawn By:	T Doughty



of louvers
in top section
18

of louvers
in bottom section
13



Note: All rail dimensions are a overall measurement.

This drawing contains information which is the property of Woodgrain Millwork, Inc. This drawing is received on confidence and contents may not be disclosed without the prior written consent of Woodgrain Millwork, Inc.

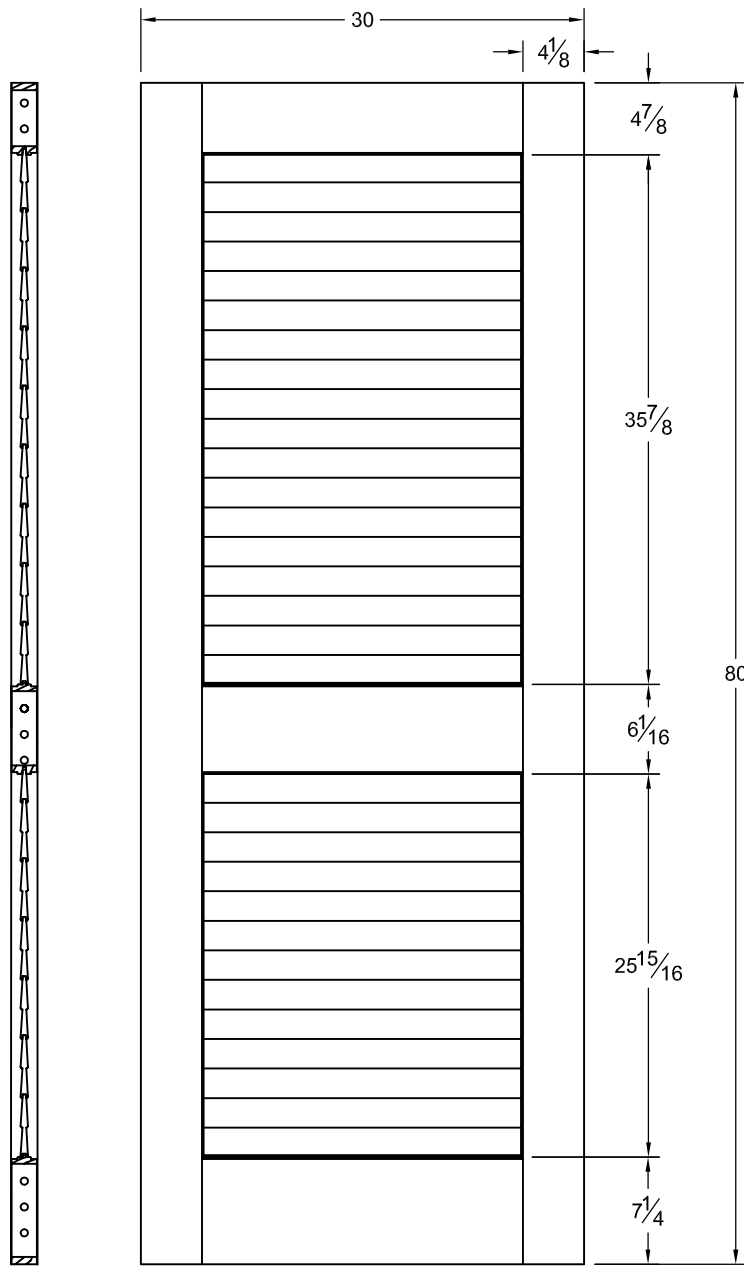
PF 730

Draw #:	Taper PF730_32_80_4
Date:	01 - 06 - 18
Drawn By:	T Doughty



of louvers
in top section
18

of louvers
in bottom section
13



Note: All rail dimensions are a overall measurement.

This drawing contains information which is the property of Woodgrain Millwork, Inc. This drawing is received on confidence and contents may not be disclosed without the prior written consent of Woodgrain Millwork, Inc.

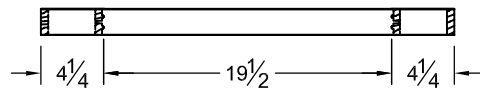
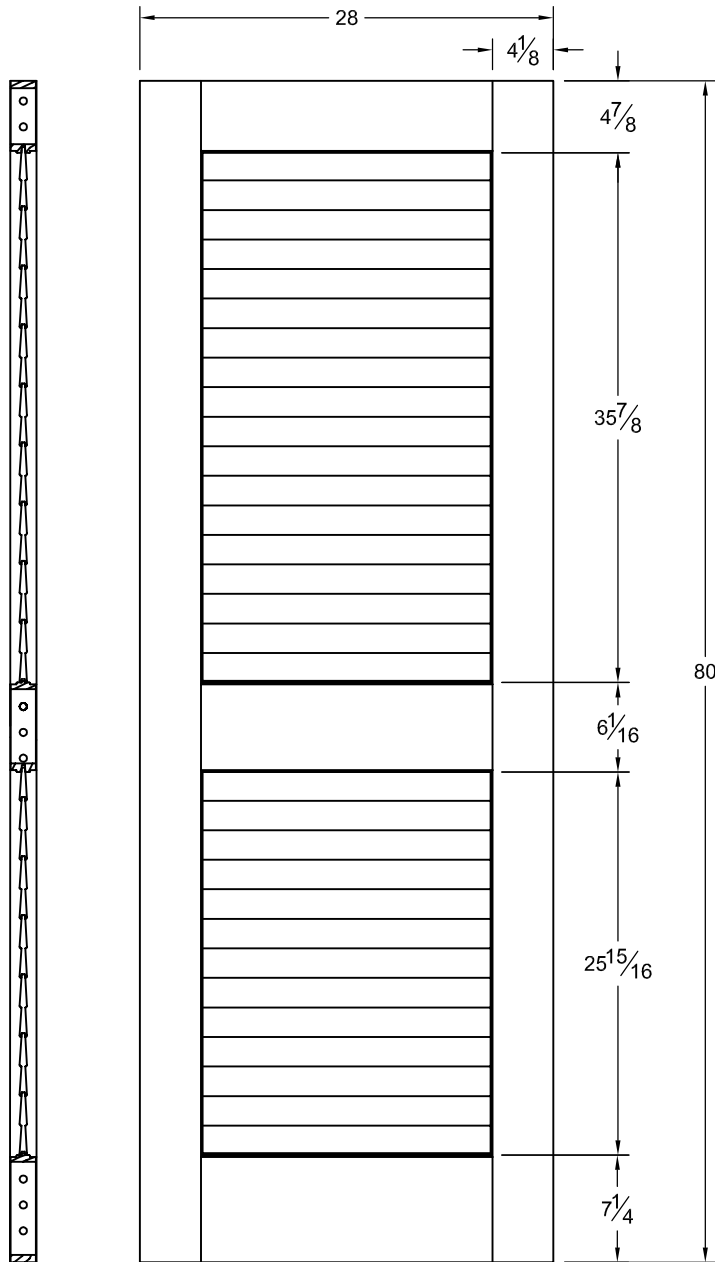
PF 730

Draw #:	Taper PF730_30_80_4
Date:	01 - 06 - 18
Drawn By:	T Doughty


woodgrain doors

of louvers
in top section
18

of louvers
in bottom section
13



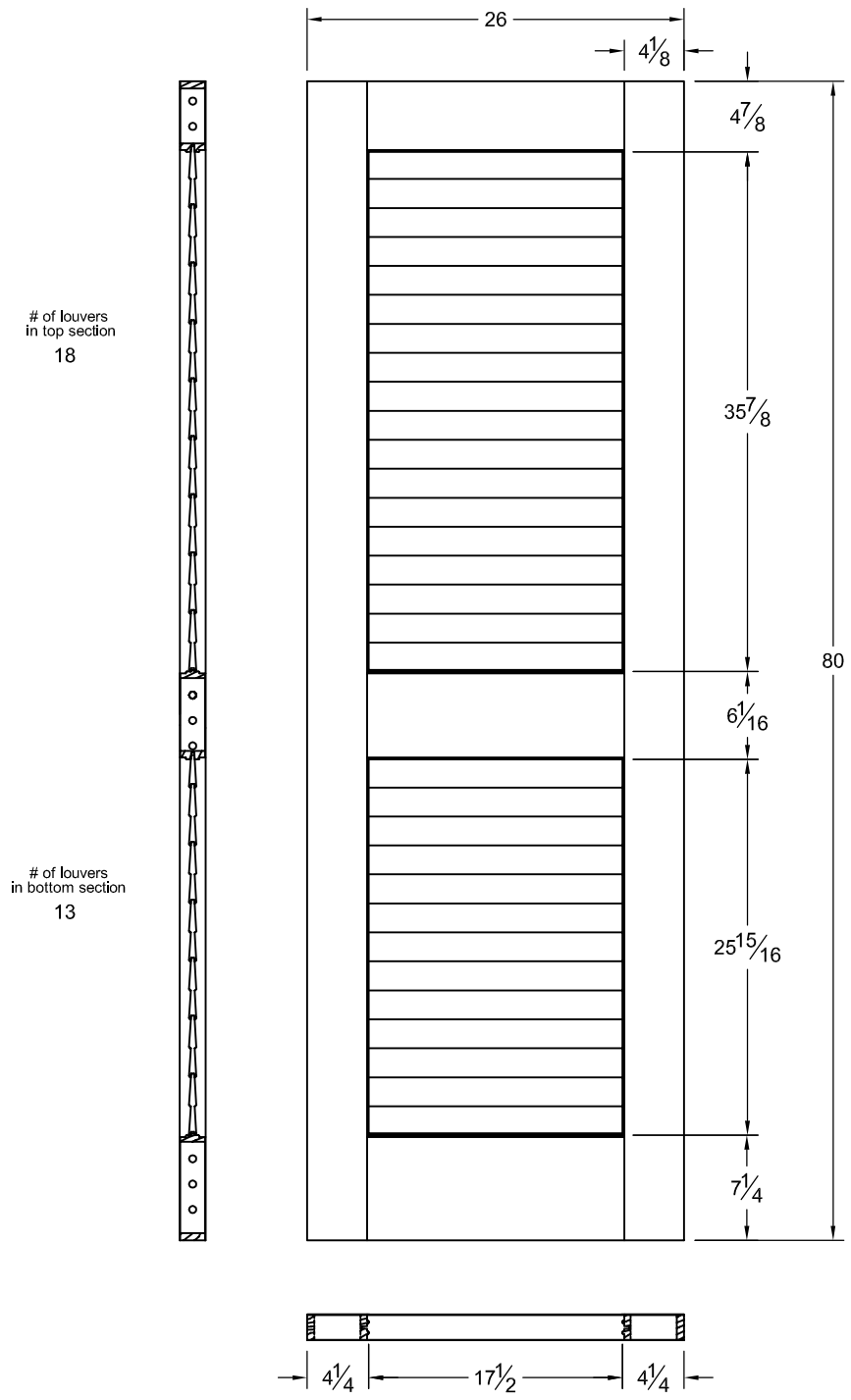
Note: All rail dimensions are a overall measurement.

This drawing contains information which is the property of Woodgrain Millwork, Inc. This drawing is received on confidence and contents may not be disclosed without the prior written consent of Woodgrain Millwork, Inc.

PF 730

Draw #:	Taper PF730_28_80_4
Date:	01 - 06 - 18
Drawn By:	T Doughty


woodgrain doors



Note: All rail dimensions are a overall measurement.

This drawing contains information which is the property of Woodgrain Millwork, Inc. This drawing is received on confidence and contents may not be disclosed without the prior written consent of Woodgrain Millwork, Inc.

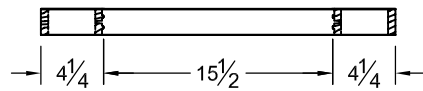
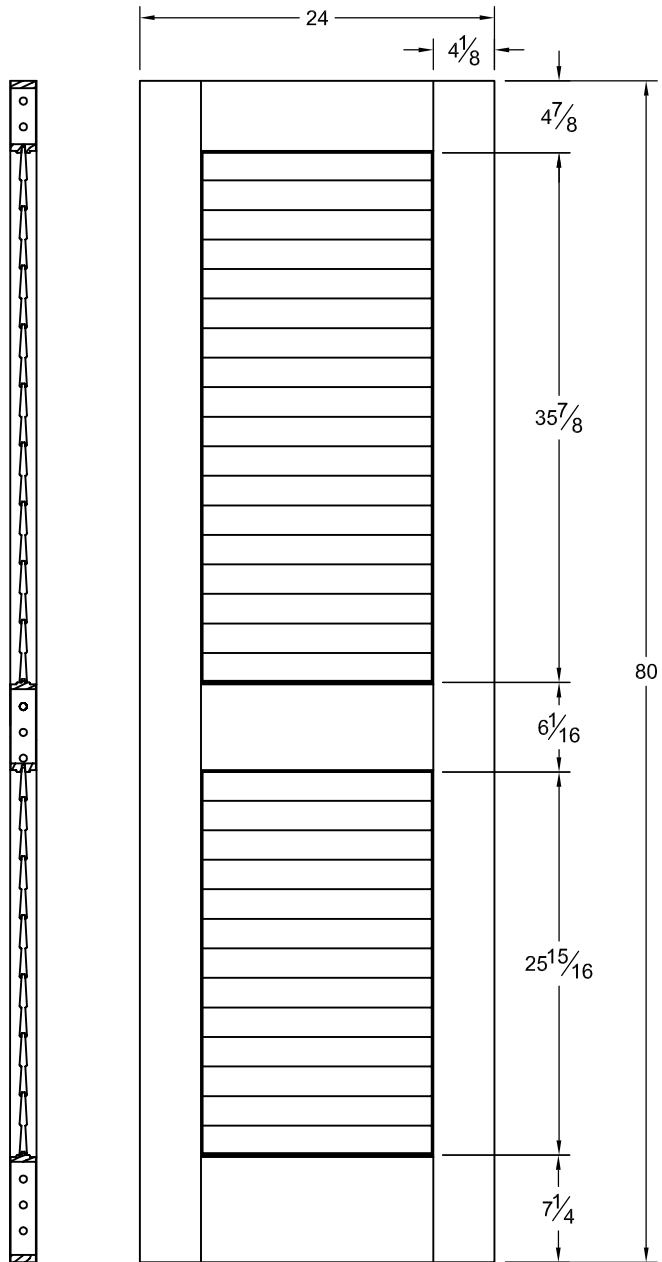
PF 730

Draw #:	Taper PF730_26_80_4
Date:	01 - 06 - 18
Drawn By:	T Doughty



of louvers
in top section
18

of louvers
in bottom section
13



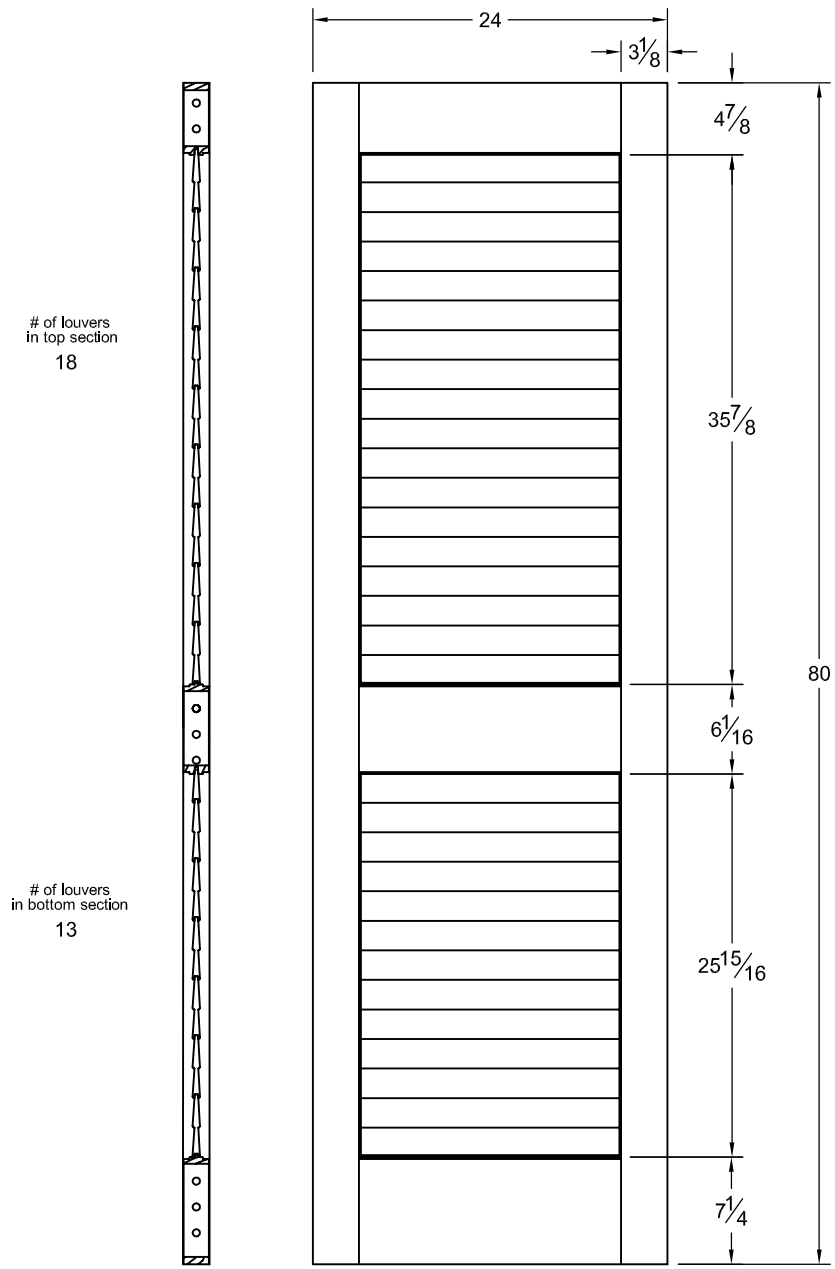
Note: All rail dimensions are a overall measurement.

This drawing contains information which is the property of Woodgrain Millwork, Inc. This drawing is received on confidence and contents may not be disclosed without the prior written consent of Woodgrain Millwork, Inc.

PF 730

Draw #:	Taper PF730_24_80_4
Date:	01 - 06 - 18
Drawn By:	T Doughty


woodgrain doors



Note: All rail dimensions are a overall measurement.

This drawing contains information which is the property of Woodgrain Millwork, Inc. This drawing is received on confidence and contents may not be disclosed without the prior written consent of Woodgrain Millwork, Inc.

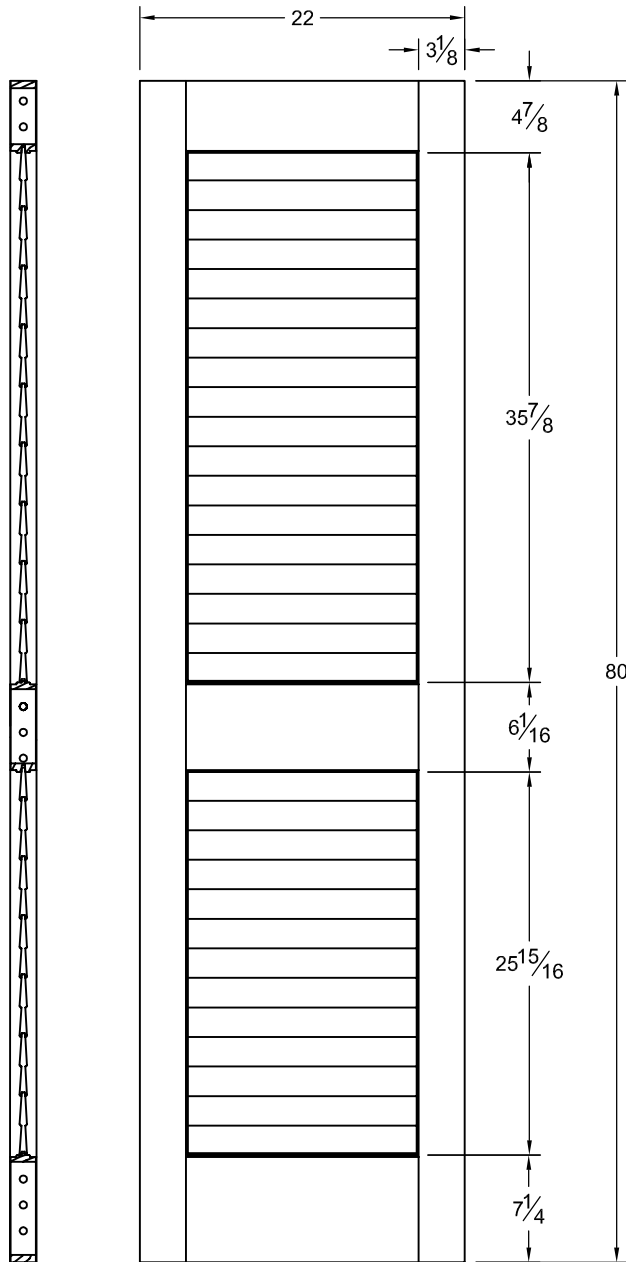
PF 730

Draw #:	Taper PF730_24_80_3
Date:	01 - 06 - 18
Drawn By:	T Doughty



of louvers
in top section
18

of louvers
in bottom section
13



Note: All rail dimensions are a overall measurement.

This drawing contains information which is the property of Woodgrain Millwork, Inc. This drawing is received on confidence and contents may not be disclosed without the prior written consent of Woodgrain Millwork, Inc.

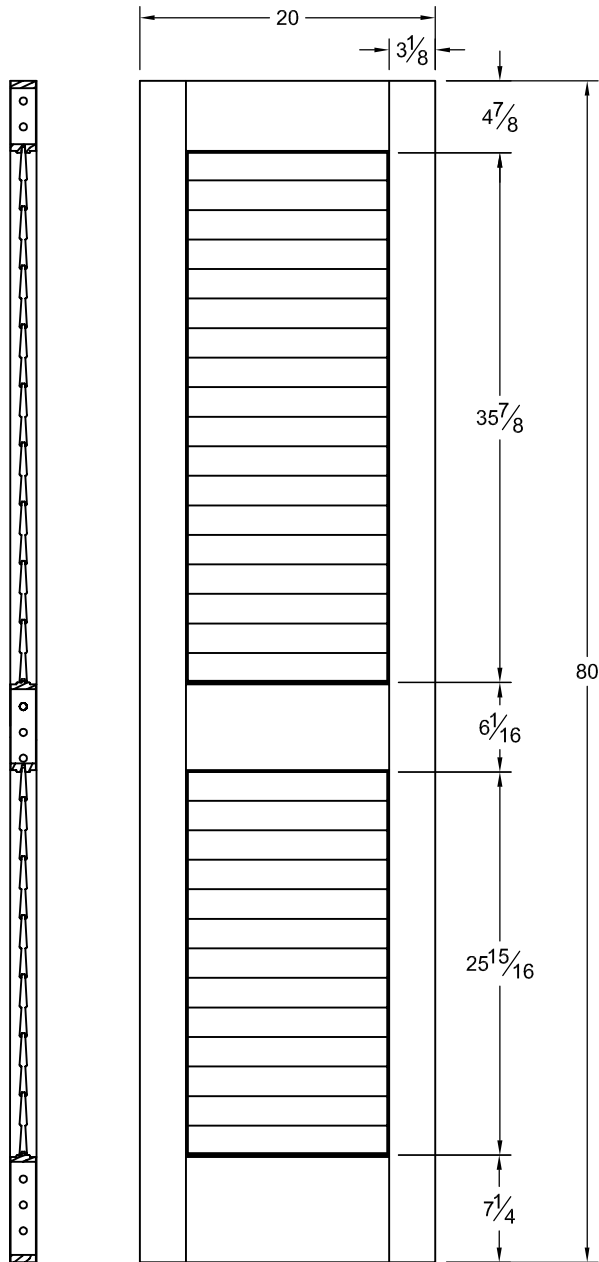
PF 730

Draw #:	Taper PF730_22_80_3
Date:	01 - 06 - 18
Drawn By:	T Doughty


woodgrain doors

of louvers
in top section
18

of louvers
in bottom section
13



Note: All rail dimensions are a overall measurement.

This drawing contains information which is the property of Woodgrain Millwork, Inc. This drawing is received on confidence and contents may not be disclosed without the prior written consent of Woodgrain Millwork, Inc.

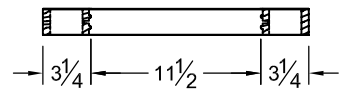
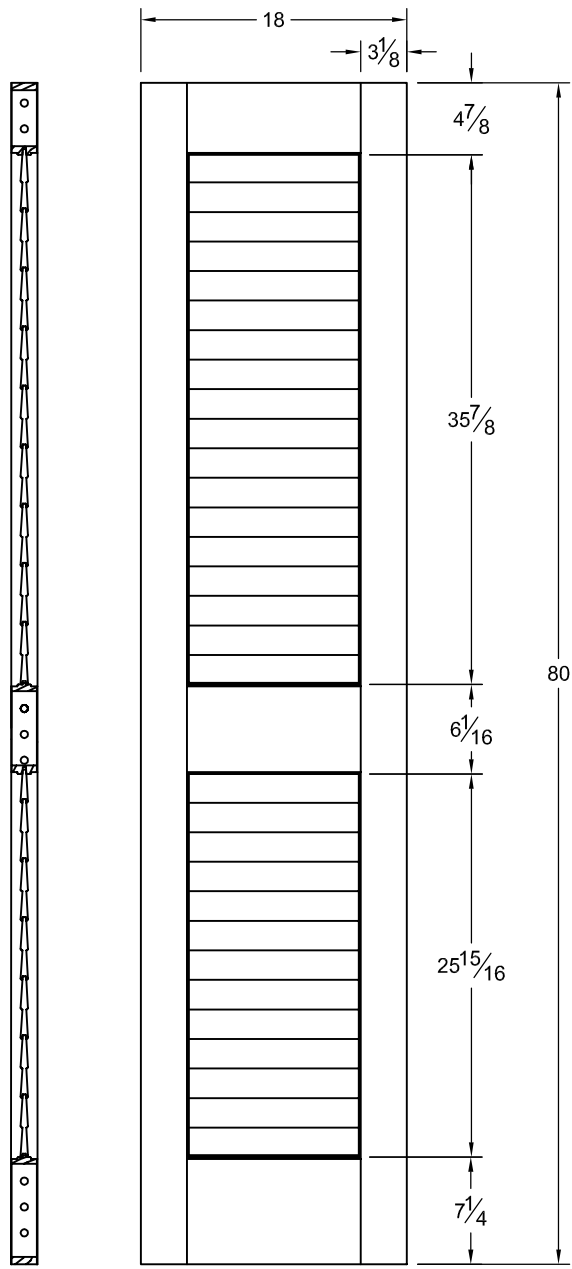
PF 730

Draw #:	Taper PF730_20_80_3
Date:	01 - 06 - 18
Drawn By:	T Doughty


woodgrain doors

of louvers
in top section
18

of louvers
in bottom section
13



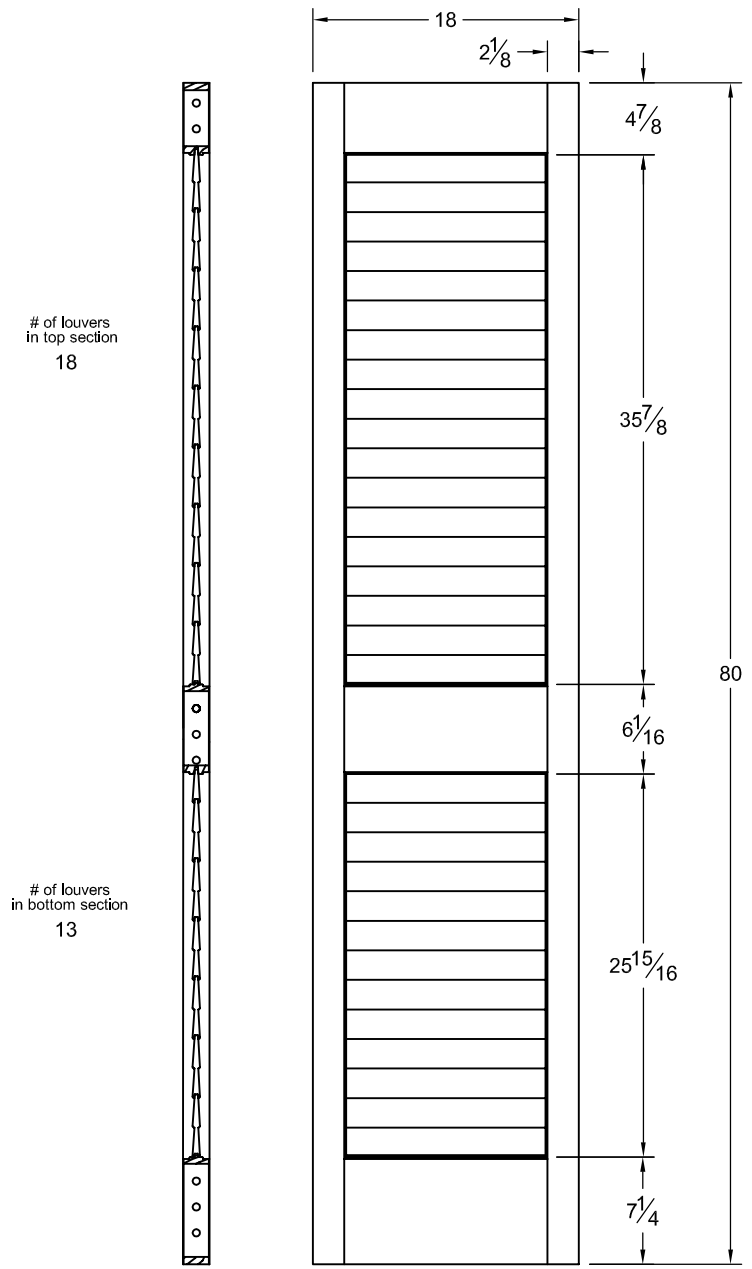
Note: All rail dimensions are a overall measurement.

This drawing contains information which is the property of Woodgrain Millwork, Inc. This drawing is received on confidence and contents may not be disclosed without the prior written consent of Woodgrain Millwork, Inc.

PF 730

Draw #:	Taper PF730_18_80_3
Date:	01 - 06 - 18
Drawn By:	T Doughty





Note: All rail dimensions are a overall measurement.

This drawing contains information which is the property of Woodgrain Millwork, Inc. This drawing is received on confidence and contents may not be disclosed without the prior written consent of Woodgrain Millwork, Inc.

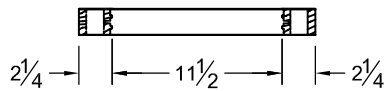
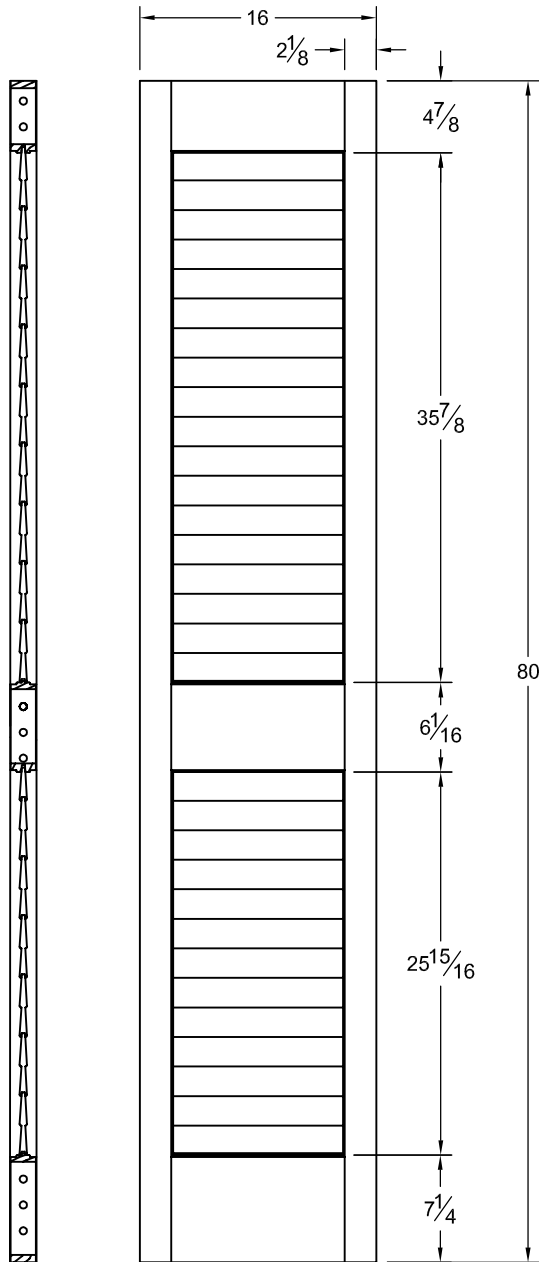
PF 730

Draw #:	Taper PF730_18_80_2
Date:	01 - 06 - 18
Drawn By:	T Doughty



of louvers
in top section
18

of louvers
in bottom section
13



Note: All rail dimensions are a overall measurement.

This drawing contains information which is the property of Woodgrain Millwork, Inc. This drawing is received on confidence and contents may not be disclosed without the prior written consent of Woodgrain Millwork, Inc.

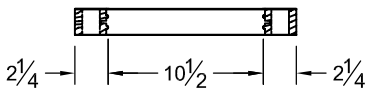
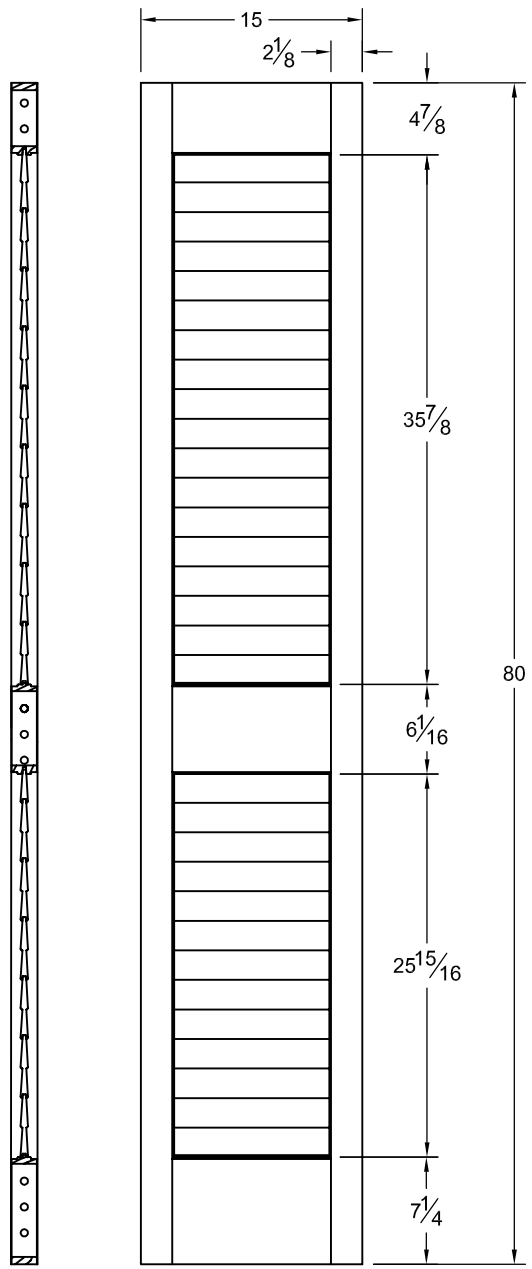
PF 730

Draw #:	Taper PF730_16_80_2
Date:	01 - 06 - 18
Drawn By:	T Doughty


woodgrain doors

of louvers
in top section
18

of louvers
in bottom section
13



Note: All rail dimensions are a overall measurement.

This drawing contains information which is the property of Woodgrain Millwork, Inc. This drawing is received on confidence and contents may not be disclosed without the prior written consent of Woodgrain Millwork, Inc.

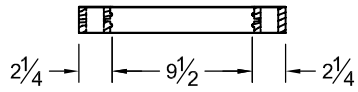
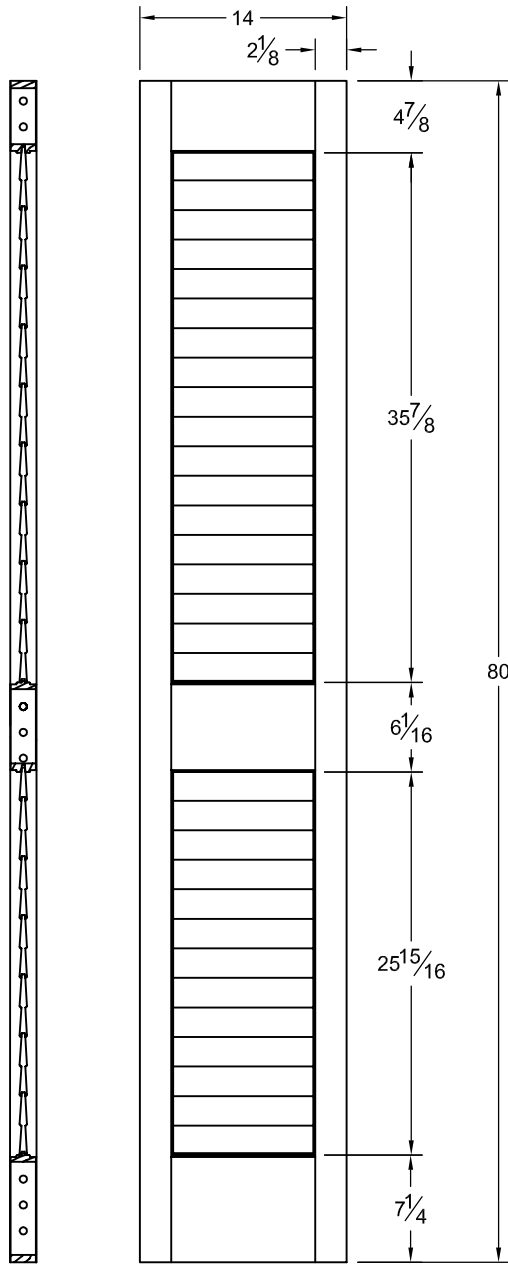
PF 730

Draw #:	Taper PF730_15_80_2
Date:	01 - 06 - 18
Drawn By:	T Doughty



of louvers
in top section
18

of louvers
in bottom section
13



Note: All rail dimensions are a overall measurement.

This drawing contains information which is the property of Woodgrain Millwork, Inc. This drawing is received on confidence and contents may not be disclosed without the prior written consent of Woodgrain Millwork, Inc.

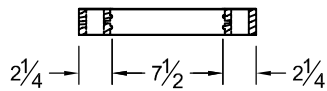
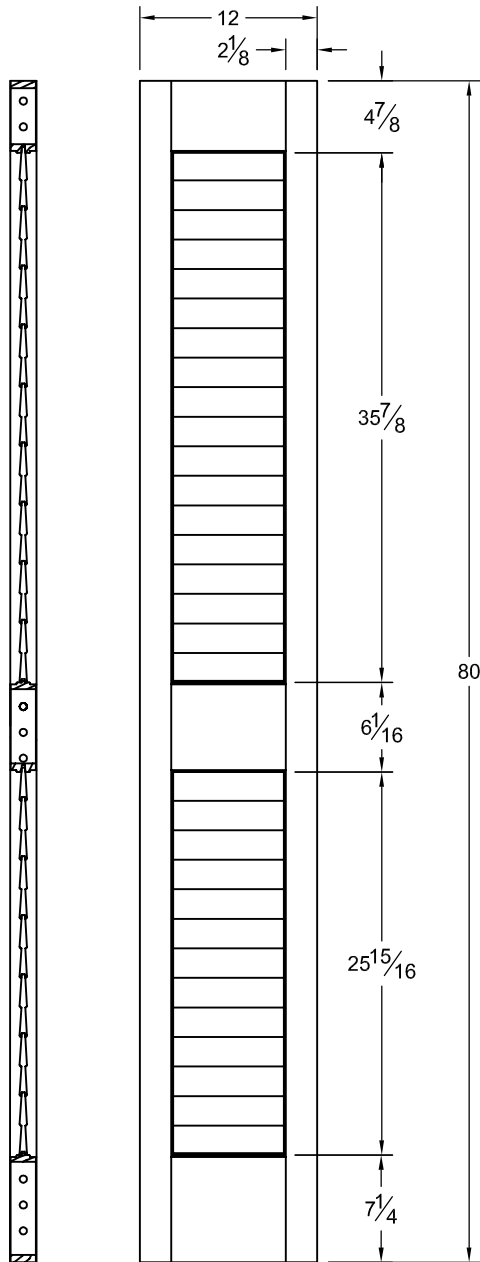
PF 730

Draw #:	Taper PF730_14_80_2
Date:	01 - 06 - 18
Drawn By:	T Doughty



of louvers
in top section
18

of louvers
in bottom section
13



Note: All rail dimensions are a overall measurement.

This drawing contains information which is the property of Woodgrain Millwork, Inc. This drawing is received on confidence and contents may not be disclosed without the prior written consent of Woodgrain Millwork, Inc.

PF 730

Draw #:	Taper PF730_12_80_2
Date:	01 - 06 - 18
Drawn By:	T Doughty


woodgrain doors